



**BSVillage**  
PISCINE - WELLNESS - OUTDOOR

MANUALE di MONTAGGIO

# Locale Tecnico in Legno SZA7

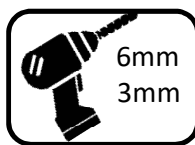
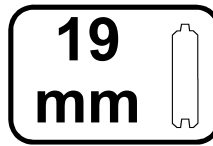


[www.bsvillage.com](http://www.bsvillage.com)

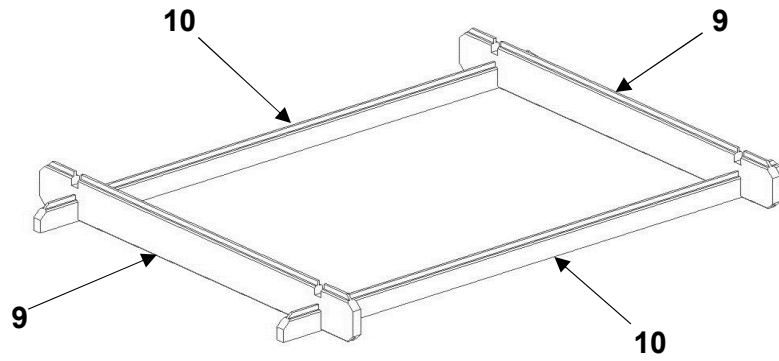
**1.20x0.89m**

**h= 1.132 m**

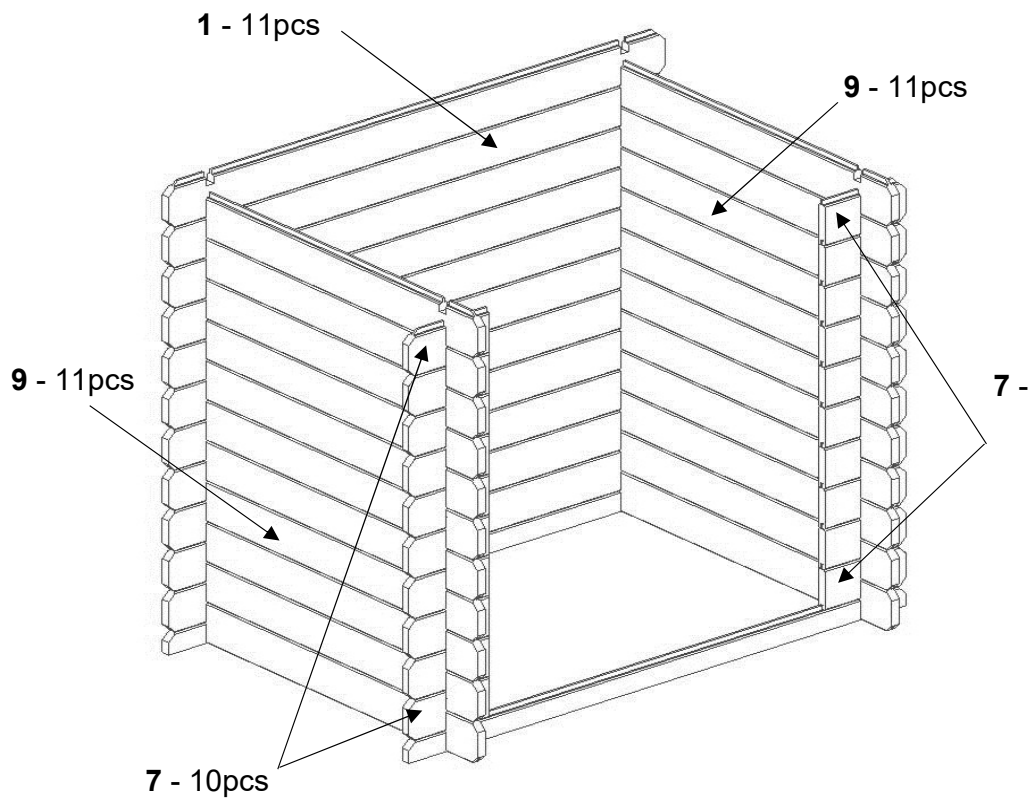
**SZA7-3**

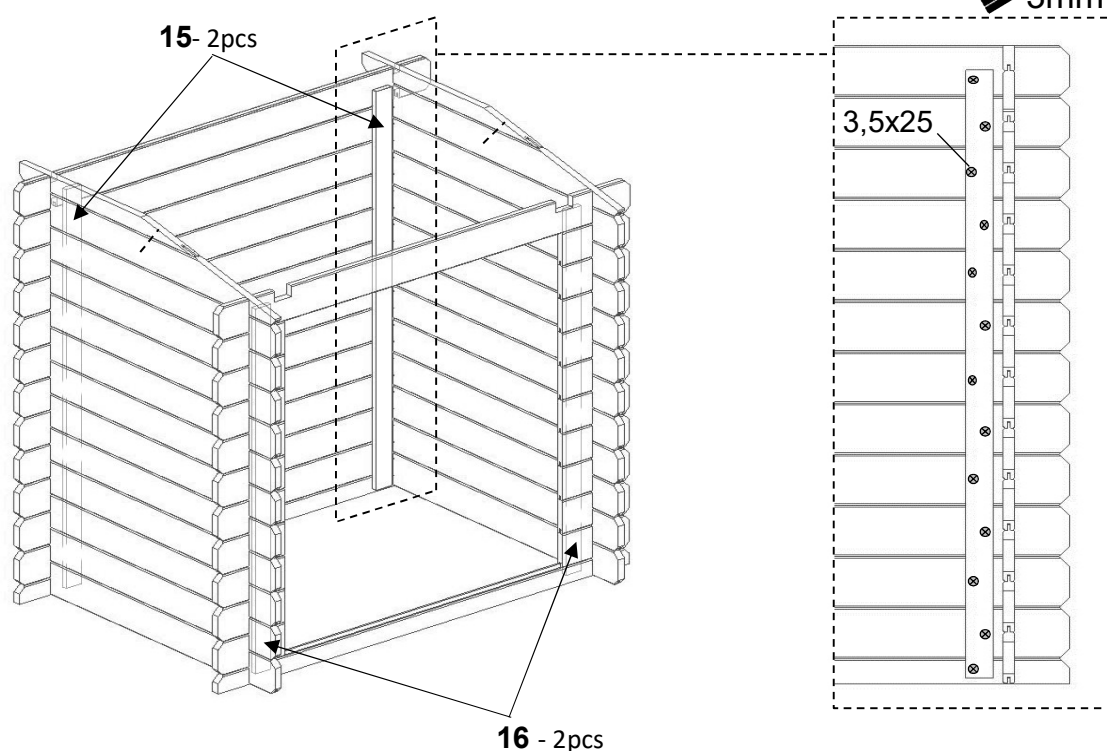
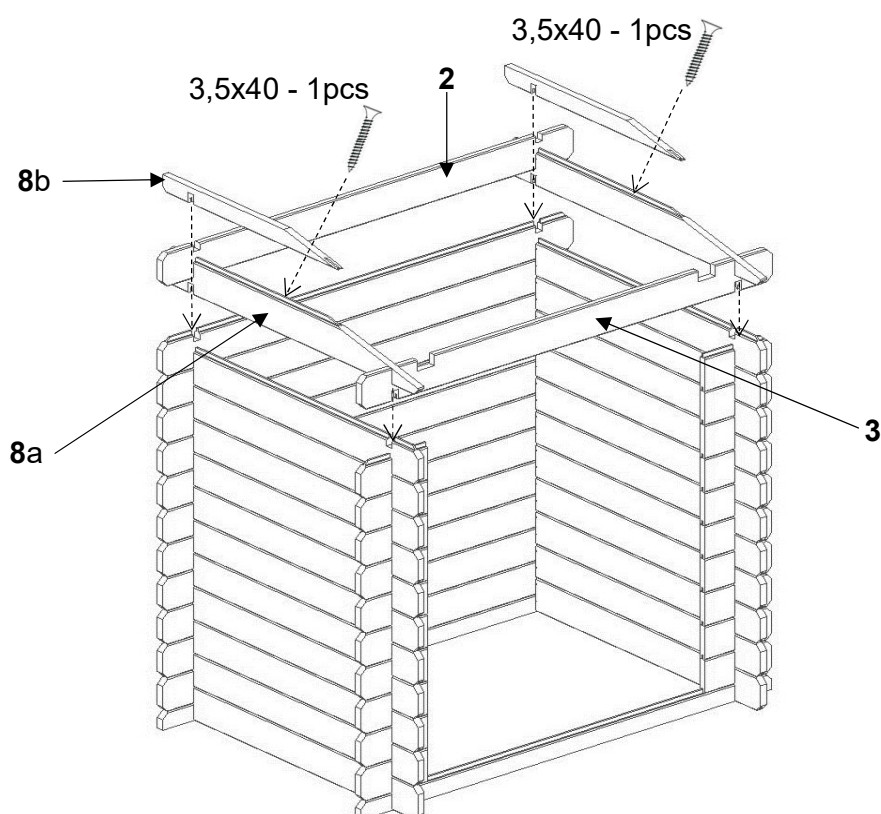


I



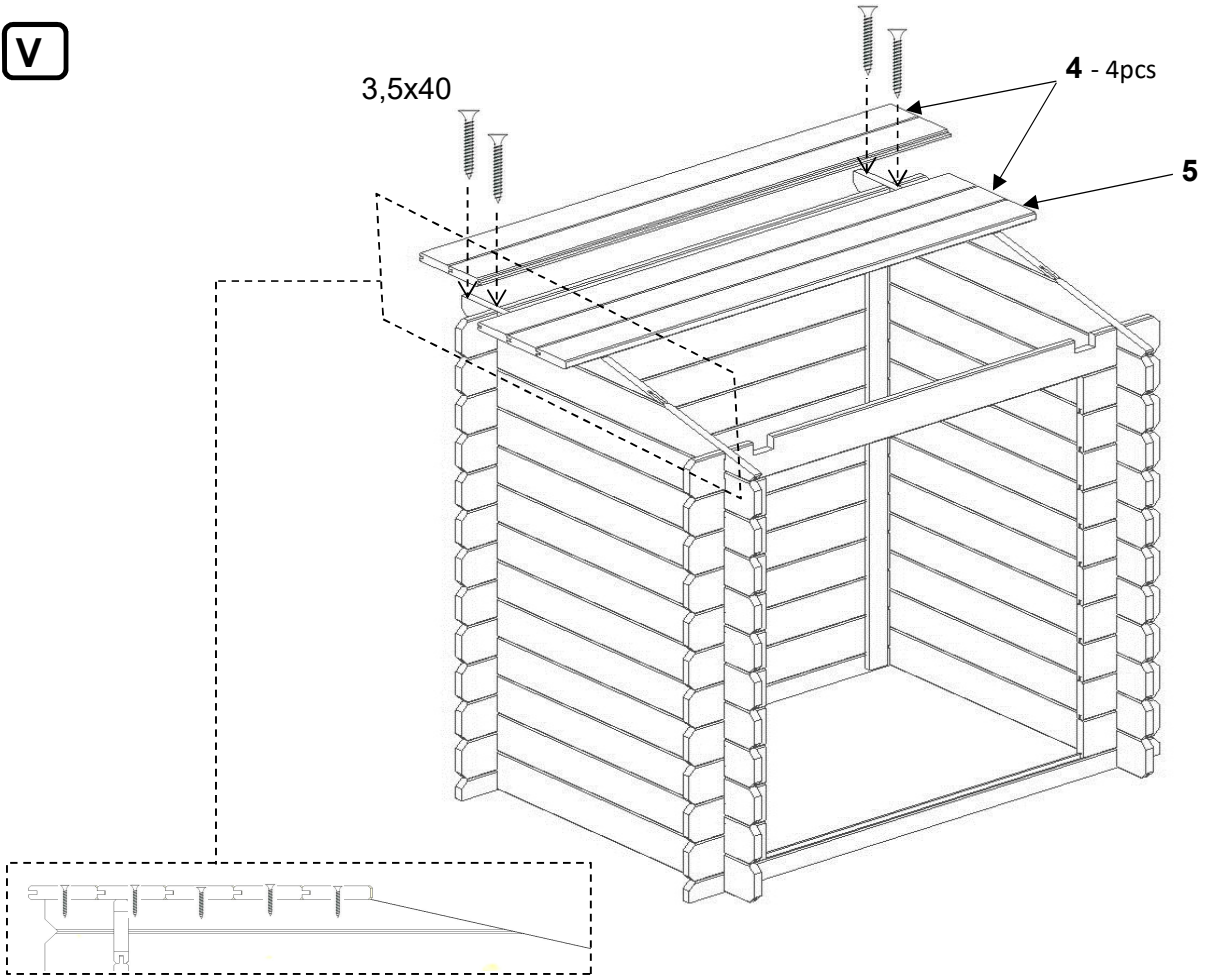
II



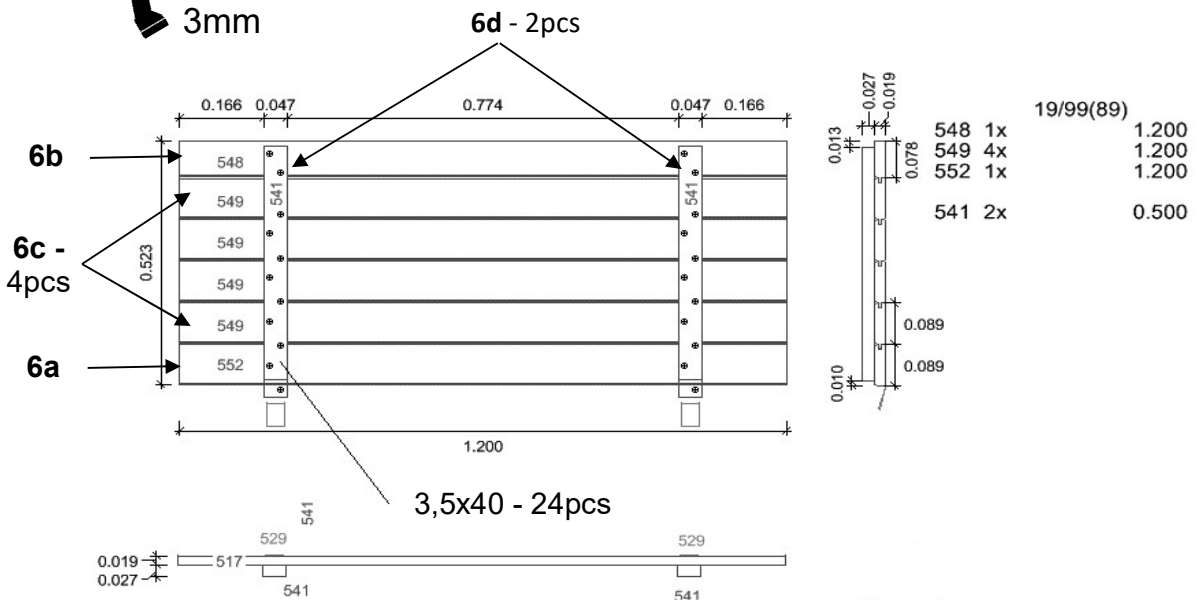


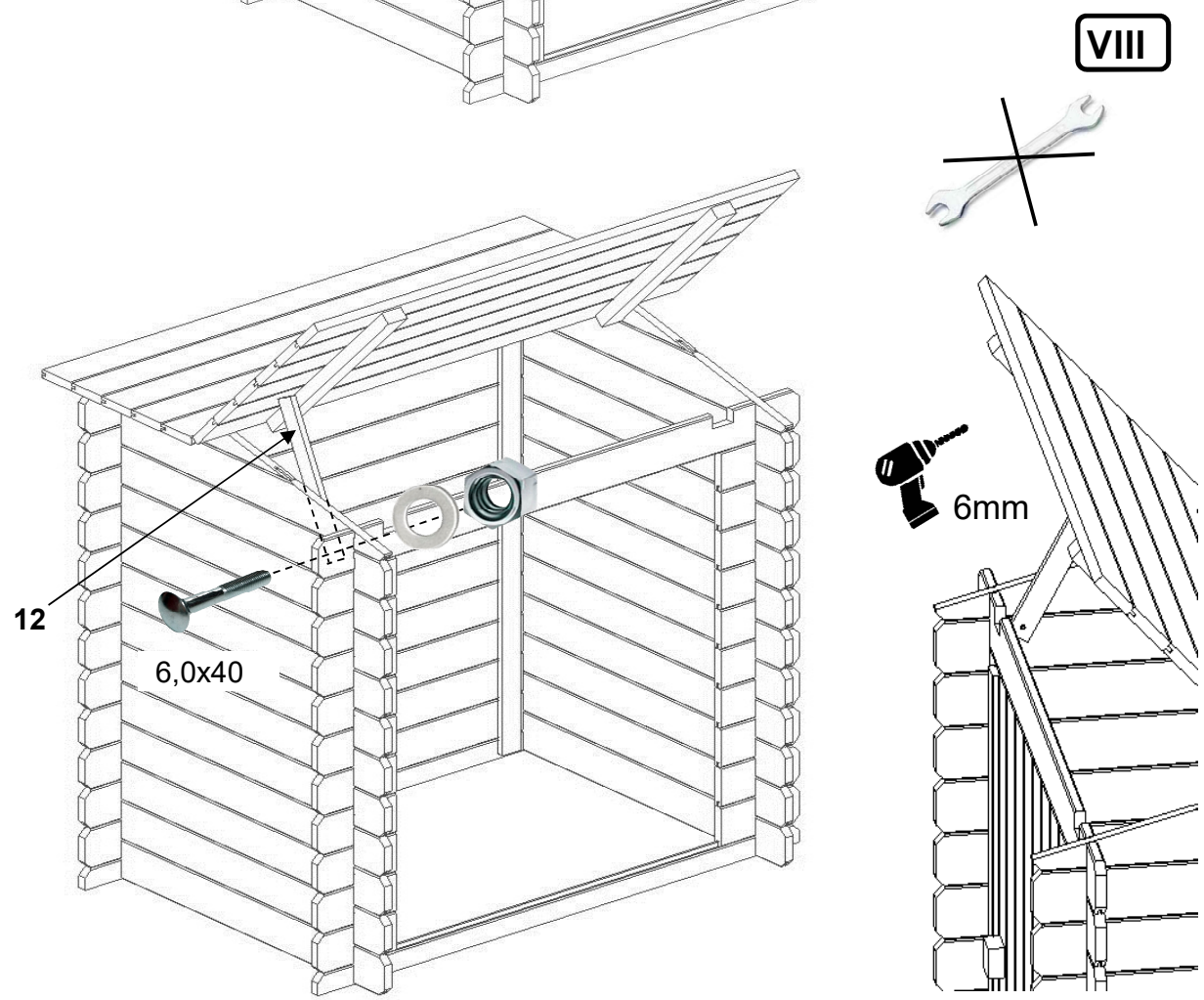
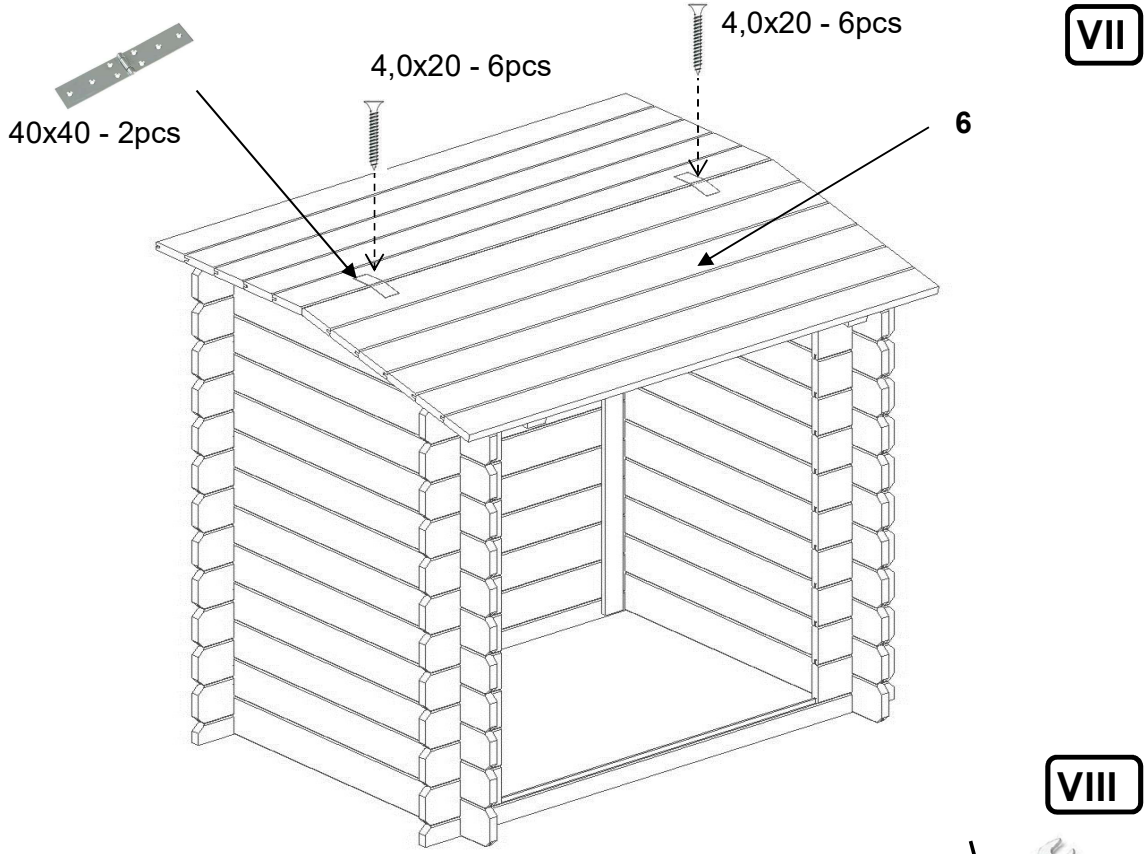


V

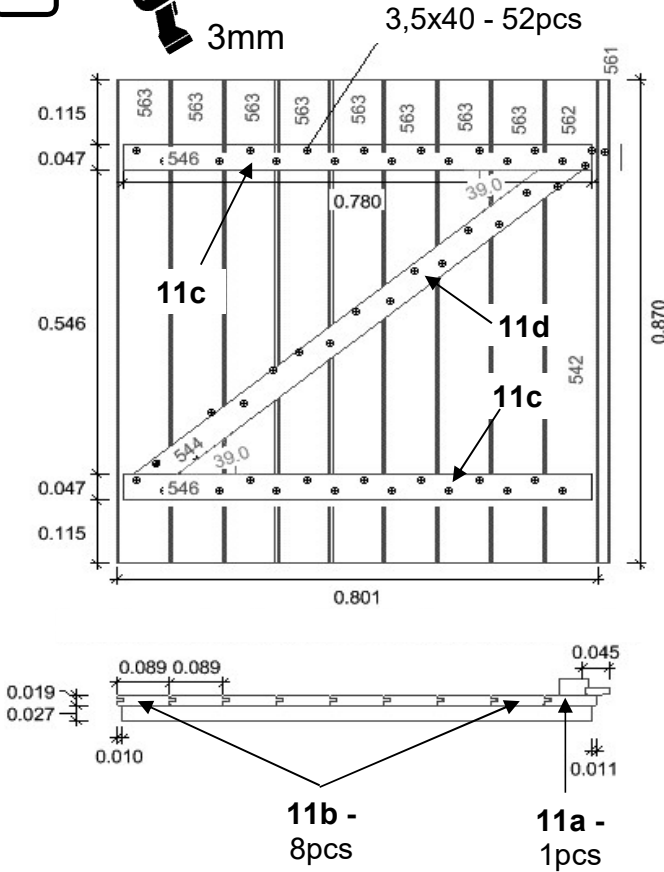


VI





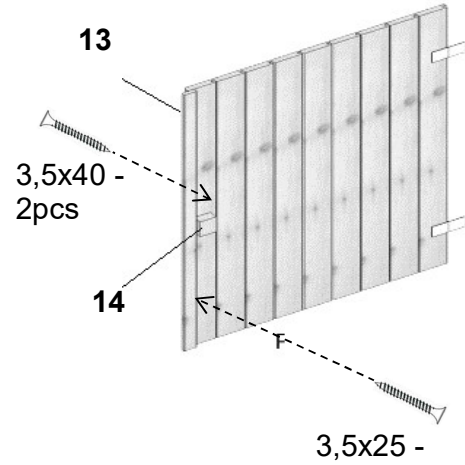
**IX**



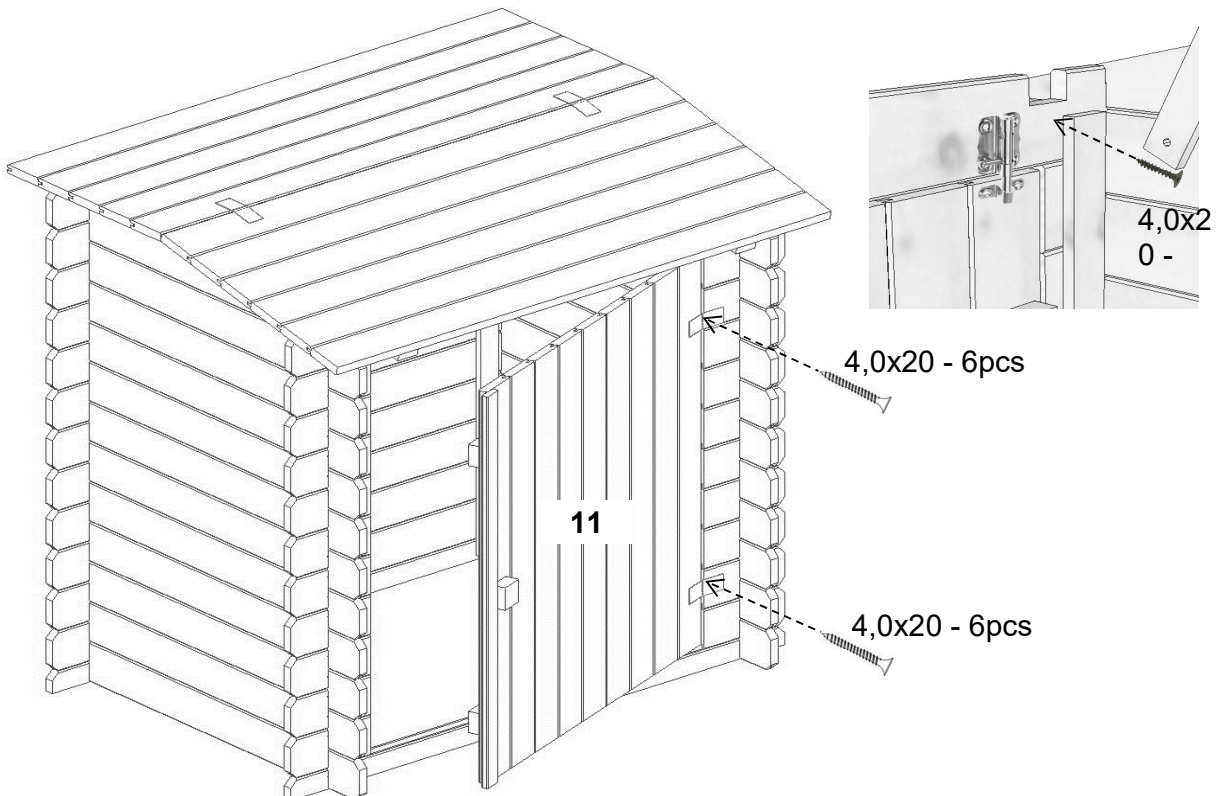
529	2x	35x100
562	1x	0.870
563	8x	0.870
542	1x	0.050
544	1x	0.926
546	2x	0.780
561	1x	0.870




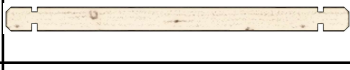
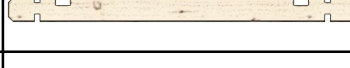
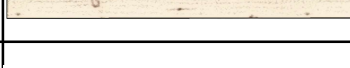
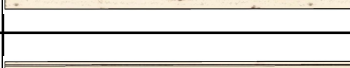


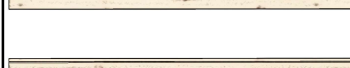





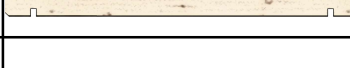
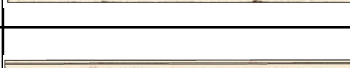
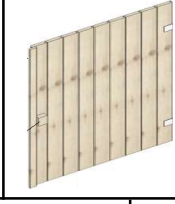

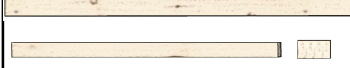
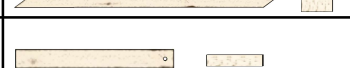






30x70 -



**X**









### SZA7-3

		element	size	pieces
			1200x99x19	11
			1200x89x19	1
			1200x89x19	1
			1200x99x19	4
			1200x89x19	1
<b>6</b>			1200x523x46	1x
				1x
				4x
				2x
			195x99x19	20
			890x99x19	2
			609x45x19	2
			890x99x19	22
			1200x54x19	2
<b>11</b>			870x801x46	1x
				8x
				2x
				1x
			330x45x13	1
			870x45x13	1
			50x50x28	1
			1060x45x13	2
			970x45x13	2

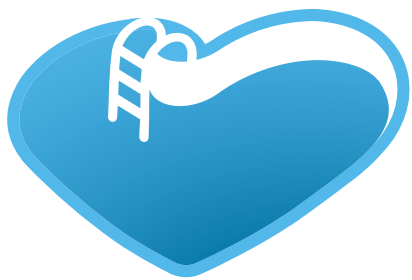




**SZA7-3**

		30x70	2
		40x40	2
A		4,0x20	30
B		3,5x25	54
C		3,5x40	90
D		6x40	1
E			1





# BSVillage


[.com](http://www.bsvillage.com)

PISCINE - WELLNESS - OUTDOOR

[www.bsvillage.com](http://www.bsvillage.com)

BUSINESS SHOP S.r.l. a Socio Unico  
Via della Repubblica n. 19/1 - 42123 Reggio Emilia (RE)  
P.Iva e C.F. 02458850357 - Cap. soc. 60.000,00 € i.v.

 [www.bsvillage.com](http://www.bsvillage.com)

 0522 15 36 417

 [info@bsvillage.com](mailto:info@bsvillage.com)

 0522 18 40 494