



- ▶ EN AQUALOON FILTER
- ▶ ES FILTRO AQUALOON
- ▶ FR EPURATEUR AQUALOON
- ▶ DE AQUALOON FILTERANLAGE
- ▶ IT FILTRI AQUALOON
- ▶ NL AQUALOON FILTER
- ▶ PT DEPURADORA AQUALOON



Instruction Manual - Manual de Instrucciones Manuel d'instructions - Bedienungsanleitung Manuale delle istruzioni - Handleiding met instructies Manual de instruções

We reserve to change all of part of the articles or contents of this document, without prior notice.

Nos reservamos el derecho de cambiar total o parcialmente las características de nuestros artículos o contenido de este documento sin previo aviso.

Nous nous réservons le droit de modifier totalement ou en partie les caractéristiques de nos articles ou le contenu de ce document sans préavis.

Wir behalten uns das recht vor die eigenschaften unserer produkte oder den inhalt diese prospektes teilweise oder wollstanding, ohne vorherige benachichtigung su andern.

Ci riservamo il diritto di cambiare totalmente o parzialmente le caratteristiche tecniche dei nostri prodotti ed il contenuto di questo documento senza nessun preavviso.

Wij behouden ons het recht voor geheel of gedeeltelijk de kenmerken van onze artikelen of de inhoud van deze handleiding zonder voorafgaand bericht te wijzigen.

Reservamo-nos no direito de alterar, total ou parcialmente as características os nossos artigos ou o conteúdo deste documento sem aviso prévio.

DISTRIBUTED BY / DISTRIBUIDO POR / DISTRIBUÉ PAR / VERTRIEB DURCH / DISTRIBUITO DA / DISTRIBUÍDO POR:

MANUFACTURAS GRE, S.A. ARITZ BIDEA Nº 57 BELAKO INDUSTRIALDEA, APARTADO 69 - 48100 MUNGUIA (VIZCAYA) ESPAÑA Nº Reg. Ind. 48-06762

MADE IN CHINA / FABRICADO EN CHINA / FABRIQUÉ AU CHINE / HERGESTELLT IN CHINA / PRODOTTO IN CHINA / FABRICADO NA RPC

EN

Abbildung 1 / Illustration 1

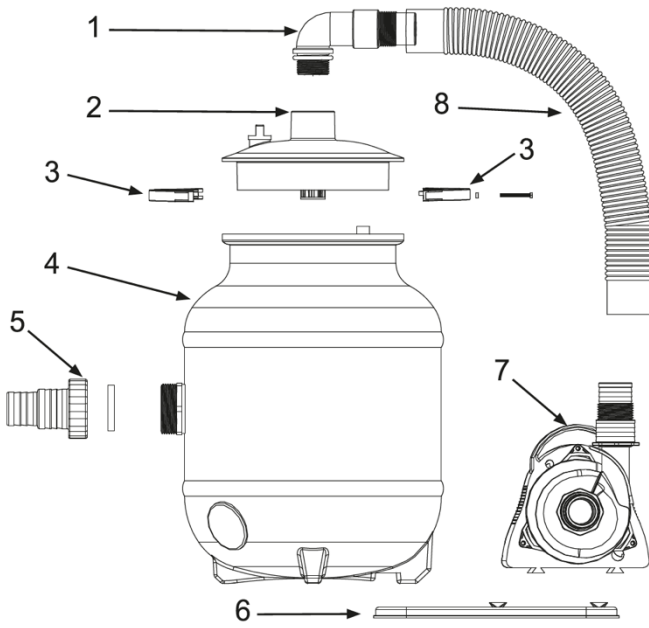


Abbildung 2-3 / Illustration 2-3

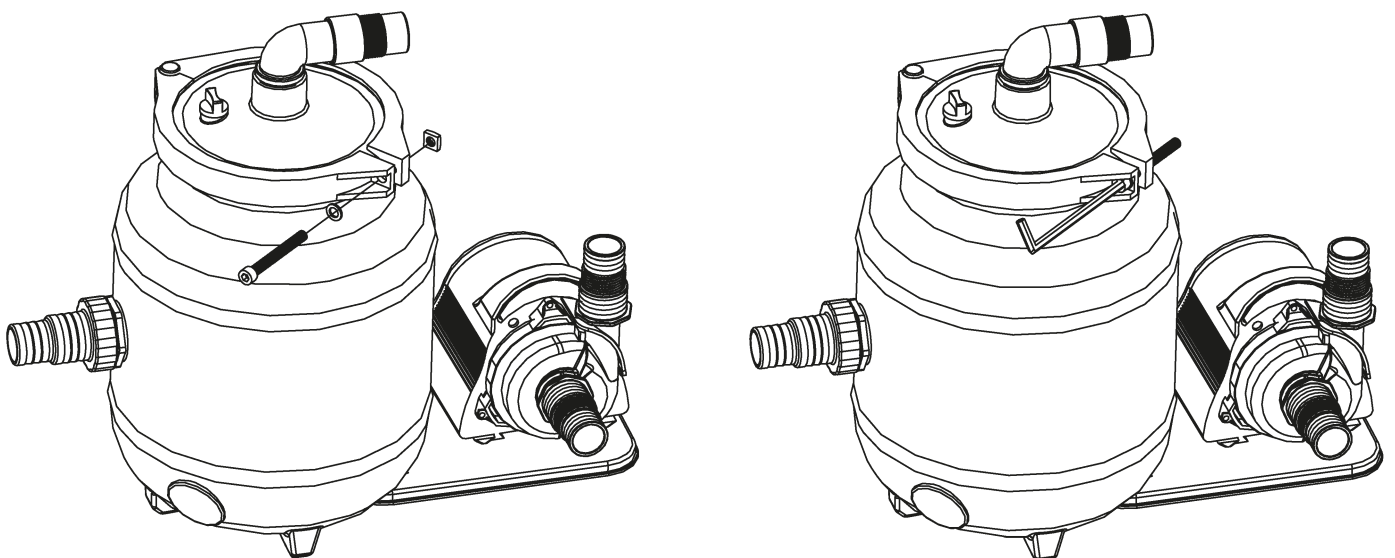


Abbildung 4 / Illustration 4

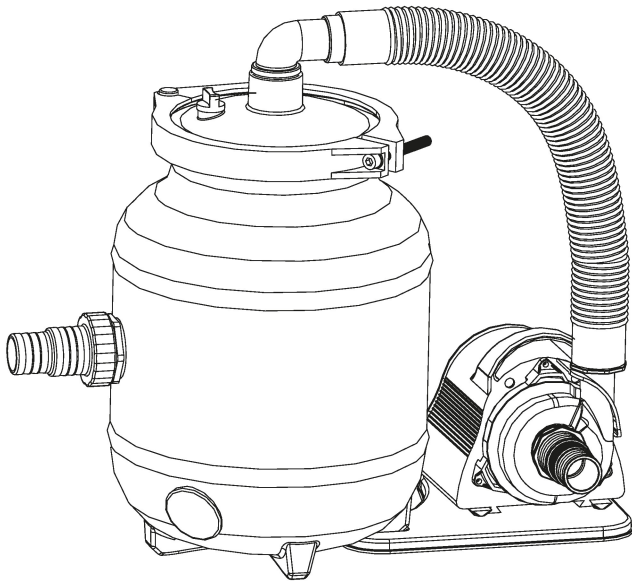
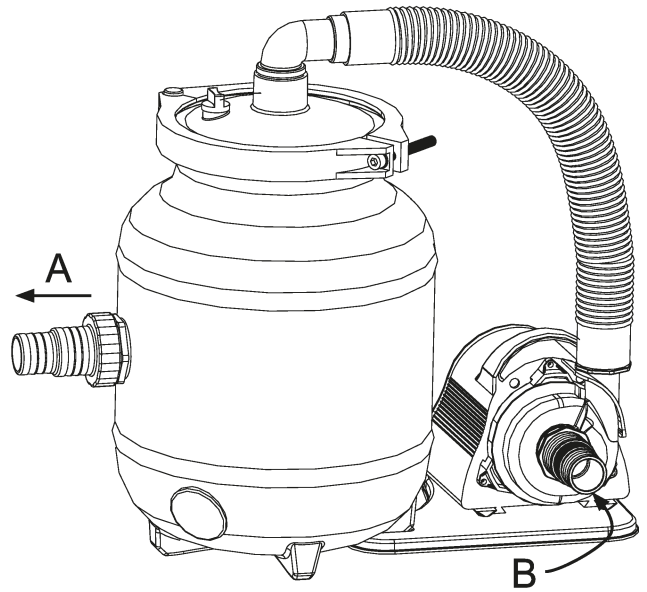
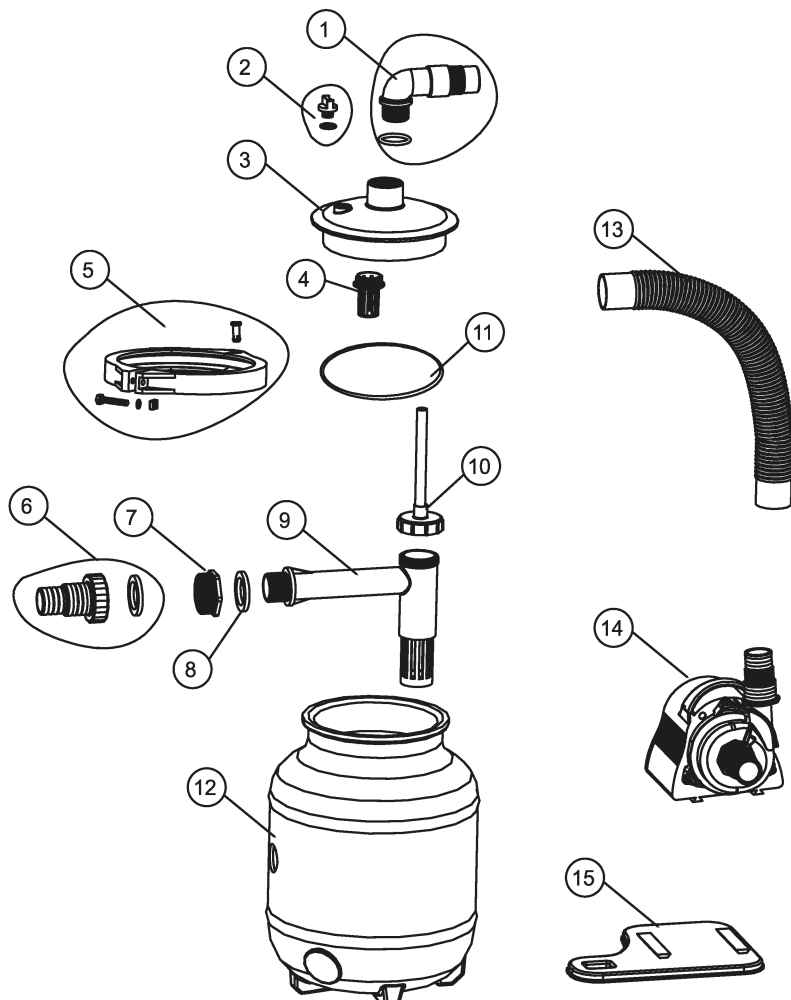


Abbildung 5 / Illustration 5



Ersatzteile (Abbildung E1 / L1) /
Spare Parts (Illustration E1 / L1)



to the product are carried out independently of if the product is improperly connected or operated incorrectly. This product features electrical and mechanical parts which are indispensable for protecting against potential hazards.

Never touch the plug with wet hands. Never pull out the plug from the socket using the cable - always pull on the plug. Keep the product, plug and all cables away from open fires and hot surfaces. Lay the cable so that it does not pose a tripping risk and do not place it under the ground. Lay cables in such a way that they will not be damaged by lawn mowers and other similar devices. Do not kink the cable and do not lay it over sharp edges. Do not use an extension cable, multiple socket adapters or other adapters.

Filtration systems may not run dry (without water)! The water takes the cooling - in case of dry running there is no warranty replacement! Never place the pump or filter in your pool. The filter system must not be operated when the pool is in use. Install this product with a sufficient safety margin from the pool to prevent children from using the system to access the pool. Do not immerse the filter system, power cable or plug in water or in any other liquids. The filter system's pump is designed to ensure good protection against foreign bodies and water spray. However, it should still be installed in such a way to ensure adequate protection from the weather. NEVER service this unit with the electrical power cord connected. **RISK OF SUCTION ENTRAPMENT HAZARD, WHICH, IF NOT AVOIDED CAN RESULT IN SERIOUS INJURY OR DEATH.** Do not block pump suction at the pump or in the pool as this can cause severe injury or death.

check scope of delivery

NOTE! Risk of damage! The product may be damaged if you open the packaging with a sharp knife or other sharp objects without due care and attention. Please open the packaging very carefully.

- Remove the product from the packaging.
- Check that all included items have been delivered in full! Sketch/photo L1.
- Check whether the item, or parts thereof, exhibit damage. If there is damage, do not use the product. Get in contact with the service address stated at the end of the manual.

Operation

The filler balls in the filler tank ensure that dirt particles and floating debris are effectively filtered over a long period of time. Dirty water is drawn from the pool via the suction pipe through the filler pump and then fed from above into the filler tank. As the water flows through the filler balls in the filter tank, dirt particles are deposited in the filler balls and thus filtered out of the pool water. The purified water then flows through the return pipe back into the pool.

For the operation of the filler system, you need a skimmer (surface skimmer). Either an integrated skimmer (built into the pool wall) or a suspended skimmer (attachment to the pool wall).

Positioning

The installation area you set between the skimmer and the inlet nozzle so that there is an adequate safety margin to the pelvic wall. We recommend putting the filler system in addition on base plates (for example: washed concrete slabs etc.). These have to be installed with the spirit level. Under no circumstances you may put your filler system in a trough or directly into the grass (flood danger or risk of overheating of the filler pump).

If you have sunk your pool partially or completely, so it makes sense to place the filler pump in a filler slot, which should connect directly to the pelvis. Is your filler pump housed in a filler slot, so it has to be insured, that the filler slot can't be flooded. For this purpose you should bring in a roller-bumishing (crushed rock) in the range of the filter slot, so that the surrounding- and rainwater can seep away. It would be ideal if there is a direct connection to the drain in the sump of the filler shaft (or sludge pump, with automatic floating switch). It is important! to ensure that the filler slot should never be airtight, because this may cause damage, due to condensation water, on the filler pump. The size of the filter shaft should be selected so that work can be performed on the filler system.

Preface

Many thanks for purchasing this GRE product. We continually develop and enhance our items, however, should this product be faulty, we apologise for any inconvenience and politely ask you to get in contact with our service centre.

Read operating manual and store safely

Instruction manual for Filter Balls Filter unit Speed Clean

This instruction manual relates to the product stated above. It contains important information on starting your product for the first time and how to operate it. Carefully read through the instruction manual - particularly the safety instructions - before using this product. Non-compliance with this instruction manual may lead to major injuries or damage to your product. The instruction manual is based on standards and regulations applicable within the European Union. If the product is being used abroad, please follow any country-specific guidelines and laws. Store the instruction manual in a safe location for later consultation and submission to third parties, where applicable.

Intended use

This product is solely intended for private use and is not suitable for commercial use. Only use the product as described in this instruction manual. Any other use is considered improper use and may lead to personal injury or damage to property. This item is not a toy. The manufacturer or retailer assumes no liability for damage resulting from improper or incorrect use.

Warnings and safety instructions

Read and observe all instructions. Non-compliance with these warnings and instructions may result in damage to property, severe personal injury or even death. These product warnings, instructions and safety regulations are extensive but cannot cover all potential risks and dangers and are thus not to be considered exhaustive. Please be cautious and assess potential dangers appropriately. Incorrect use/handling of the product can lead to life-threatening situations.

Caution! Leave repairs to experts in order to prevent hazards. Consult a specialist workshop. Liability is waived and warranty claims expire if repairs are carried out independently of if the product is improperly installed or used incorrectly. Only original parts corresponding to the original product specifications may be used during repairs.

WARNING! Hazardous for children and persons with reduced physical, sensory or mental abilities (such as the handicapped, elderly individuals with impaired physical and mental abilities), or those with a lack of experience and knowledge. Children must not be allowed to play with this product. Cleaning may not be performed by children and persons with reduced physical, sensory or mental abilities.

NOTE! Risk of damage! This product may be damaged through improper use.

Danger of electrocution! Faulty electrical installation or too high mains voltage can lead to electrocution. Only connect the product if the mains voltage on the socket corresponds to the technical specifications. Only connect this product using an easily accessible socket to ensure it can be rapidly disconnected from the mains in the event of a fault. Do not operate the product if it exhibits visible damage or the mains cable/plug is defective. As additional protection, it is recommended to install a residual current device (FI/RCD) with a tripping current of no more than 30mA. Consult with an electrician for advice.

Only open the product as described in this manual. Leave repairs to

Installation

Assembly of the filtersystem (Illustration 1)

Assemble the filler system at the location where the pump finally will be.

The filler pump consists of the following parts:

1. 90° connection bracket
2. Transparent cover
3. Clamping ring
4. Filler tank
5. Screw connection Ø 32/38 mm
6. Bracket for filler pump
7. Filler pump
8. Connection hose Ø 32 mm

Assembly of the filter system (Illustration 2,3,4)

1. Open the clamping ring and remove the transparent cover from the filler tank.
2. Fill the filler tank with the filler balls which are included with the order (approx. 320g).
3. Now place the seal onto the underside of the transparent cover.
4. Lay the transparent cover once again onto the upper side of the filler tank. It is very important to ensure that all surfaces have been cleaned once again and are free from any dirt before you do this.
5. The transparent cover is connected to the filler tank using the clamping ring. The clamping ring is screwed together with the clamping ring screw and clamping ring screw nut.
6. Fit the connection bracket on the upper side of the transparent cover.
7. Finally, connect the connection bracket with the filler pump. Fasten all connections with hose clips and ensure that the pump connecting pieces are adequately sealed using teflontape.

Pump hose connections (Illustration 5)

A: Return line - connection between the filler tank and the connection to the inlet nozzle (pool). The filtered water is fed back into the pool at this point.

B: Skimmers - connection between the skimmer connection (pool) and the filler pump. The water that is going to be cleaned is drawn in from the pool at this point.



Filter system installation instructions

- Once the filler system has been properly assembled, the sand chamber filled with sand and the hoses connected as described above, you may begin with filtration.
- Do not plug the system in until advised to do so below.
- Make certain the pump is not plugged in to a power supply.
- Before operating the filler system, it is important to ensure that the filler system is positioned outside the pool and is lower than the pool's water level. The hose connections must also be correctly connected and fastened.
- If you haven't done so already, fill your pool with water. Ensure that the water level is at least 2,5 - 5 cm above the top of the hose intake (Skimmer) and return ports in the pool.
- The filler system is now vented. If applicable, open the vent screw on the upper side of the transparent filler cover until the water flows out.
- Release the shut off valve at the intake port (Skimmer) in the pool. If you plugged the intake port (Skimmer), remove the plug to allow the water to flow into the intake hose.
- With the filter-pump system installed in a location level lower than your pool's water level - water will automatically flow into the pump-filter system.
- Allow the filler tank to fill with water.
- Check the filler system and the connection hoses for leaks and resolve, if necessary. Leakage points may possibly arise due to manufacturing tolerances, which need to be resolved by wrapping teflon tape around the connections before the connection hose is attached.
- Your filler system is now ready for use.

Cleaning the filter balls

The filler balls in the filler tank ensure that dirt particles and floating debris are effectively filtered over a long period of time.

The filler system will reduce its level of performance in accordance with the amount of contamination in the water. This must be checked at regular intervals.

If you establish that performance levels are decreasing, please follow one of these two options:

A: Replace the filler balls.

B: Wash the filler balls in a washing machine at a maximum temperature of 30°C.

Filtering time

The swimming pool's water should be circulated and filtered at least 3 to 5 times in a 24 hour period, depending on the load and the size of the filler system. The time required is based on the performance of the filler system and the size of the swimming pool. However, we recommend a minimum running time of 12 hours per day.

Power source instructions

The filler system you have purchased is equipped with a connection cable, which may only be connected to a circuit with a residual current circuit breaker (RCCB) with a rated residual current of no more than 30mA.

Technical data:

- Group flow rate: 4m³/h
- System flow rate: 3,5 m³/h
- Pump is not self-priming
- maximum water temperature 35 °C
- 220/230V/100W
- Tank Ø 200 mm
- Connector Ø 32/38 mm
- Ground plate
- 320g of filler balls are required
- for pools up to 19,000 l capacity

Important Note

Care instructions

Visible contaminants are removed through the filtration system. This is not true for algae, bacteria and other microorganisms, which are also a constant threat to clear, clean and healthy pool water. For their prevention or removal, special water treatment is available, properly and permanently dosed, guarantee for swimmers any kind of harassment and ensure proper hygienic bath water.

Cleaning

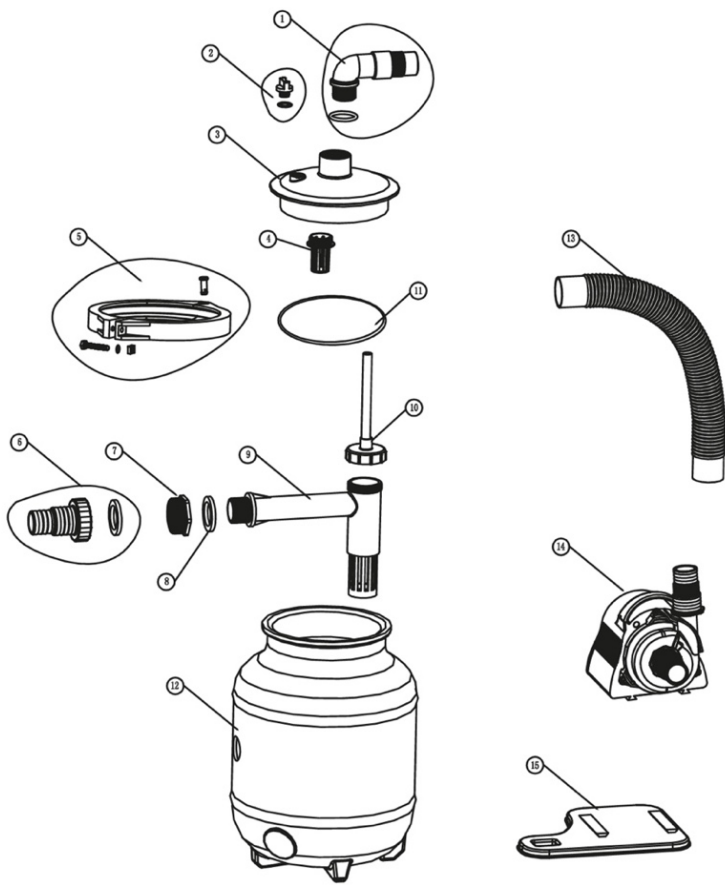
Use conventional cleaning products. Do not use solvent-based or abrasive cleaning agents/tools, i.e. no hard sponges, brushes etc..

Storage

The product must be thoroughly dried after cleaning. After which, it is to be stored in a dry location protected from frost.

Disposal

Disposing of packaging: The packaging material has been selected in view of environmental concerns and disposability and is therefore recyclable. The paper and cardboard can be recycled, as can the plastic coverings. **Disposing of the product:** Applicable in the European Union and other European states with systems in place for collecting and sorting recyclable materials. Dispose of the product in accordance with any laws and regulations applicable at your place of residence.



N°	Name	Material	QTY
1	CONECTOR	PP	1
	O-Ring 1	Rubber	1
2	CAP	ABS	1
	O-Ring 2	Rubber	1
3	TOP COVER	PMMA	1
4	Eliminator	ABS	1
5	SCREW	SUS304	1
	NUTS	BRASS	1
	GASKET	SUS304	1
	CLAMPPIN	PA6	1
	RIGHT CLAMP	PA6	1
	LEFT CLAMP	PA6	1
6	Connector 32/38	PP	1
	SEALING GASKET	Rubber	1
7	TRANSFER CONNECTOR	PP	1
8	TRANSFER CONNECTOR GASKET	Rubber	2
9	FILTER TUBE	PP	1
10	EXHAUST PIPE	-	1
11	VALVE BIG O-RING	Rubber	1
12	200 BLOW MOULDED TANK	PE	1
13	PE HOSE	PE	1
14	100 W WATER PUMP	-	1
15	BASE PLATE	PP	1

ES

IMAGEN 1

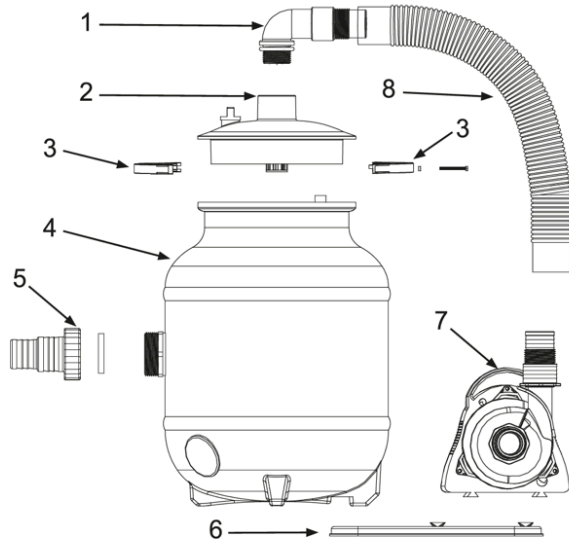


IMAGEN 2-3

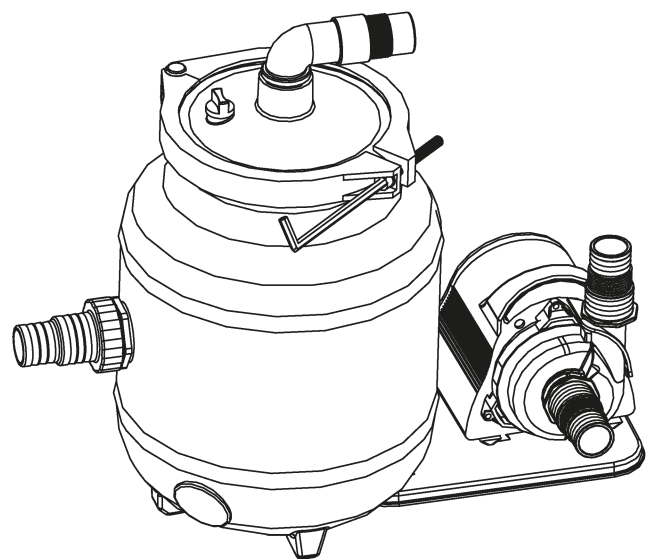
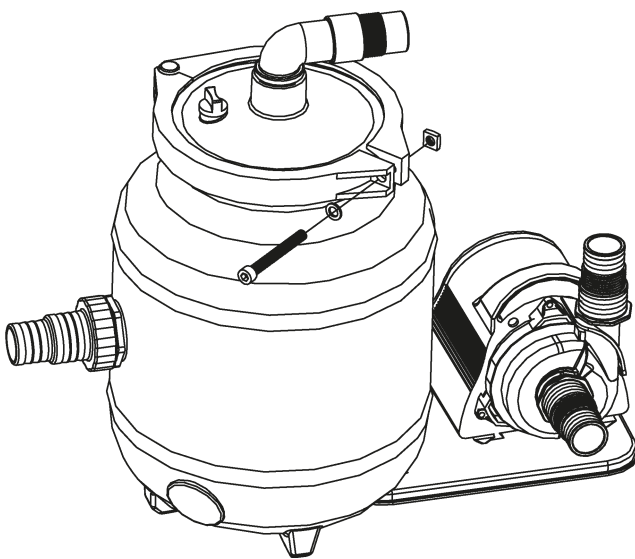


IMAGEN 4

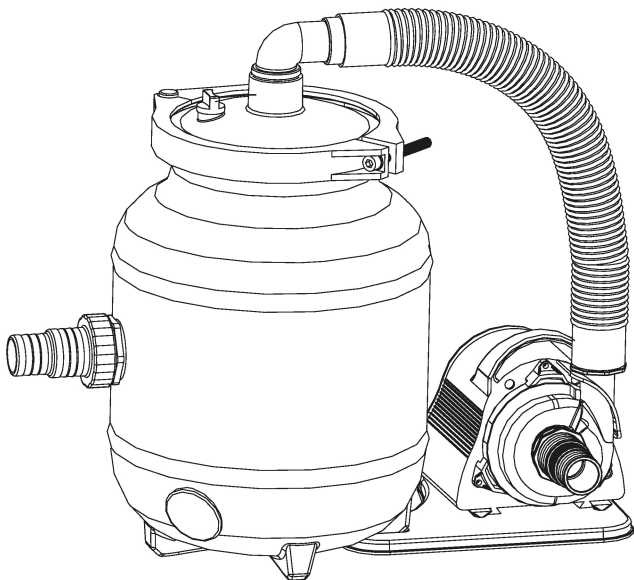


IMAGEN 5

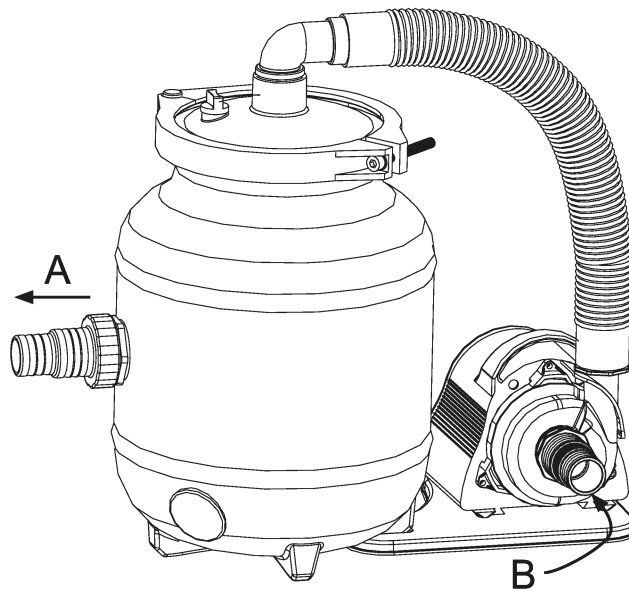
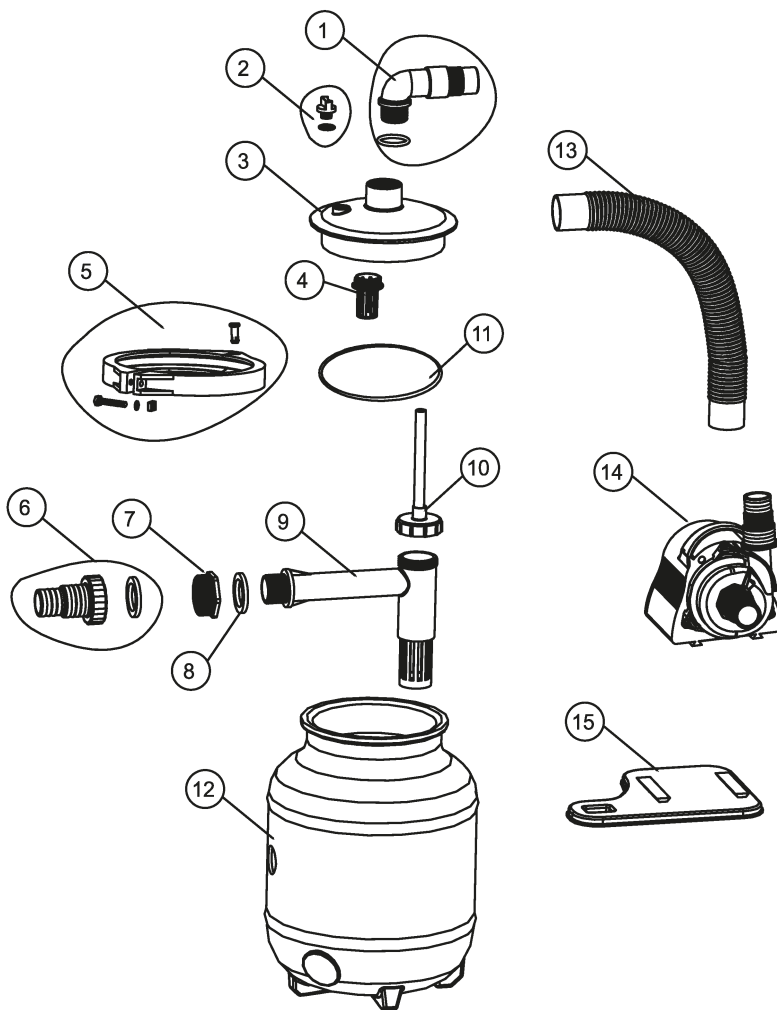


IMAGEN E1/L1 (PARTES)



Introducción

Muchas gracias por adquirir este producto de GRE. Aunque desarrollamos y mejoramos nuestros productos continuamente, le pedimos disculpas si encuentra algún defecto y le pedimos que se ponga en contacto con nuestro centro de servicios.

Lea el manual y guárdelo en un lugar seguro

Manual de instrucciones para la unidad de filtrado por bolas de limpieza rápida

Este manual de instrucciones se refiere al producto indicado anteriormente. Recoge información importante sobre el primer uso del dispositivo y cómo manejarlo. Antes de utilizar el producto lea detenidamente el manual, en especial las advertencias de seguridad. En caso de que no siga las indicaciones del manual, puede producirle lesiones o se puede dañar el producto. El manual se basa en las normas y los reglamentos aplicables en la Unión Europea; si utiliza este dispositivo fuera de ella, siga las directrices y la legislación propia del país. Guarde el manual en un lugar seguro para consultarlo más adelante si lo precisa o presentárselo a terceros si procede.

Uso previsto

Este producto está previsto, exclusivamente, para un uso privado y no resulta adecuado para uso comercial. Utilice el producto solo en la forma descrita en el manual de instrucciones. Si lo emplea de otro modo, se considera un uso indebido y puede causar lesiones personales o daños en bienes. Este elemento no es un juguete. El fabricante y el distribuidor se eximen de toda responsabilidad por los daños producidos como consecuencia de un uso indebido o incorrecto.

Advertencias e instrucciones de seguridad

Lea y respete todas las instrucciones. Si hace caso omiso de estas advertencias e instrucciones, puede causar daños en bienes y lesiones personales graves o incluso mortales. Las advertencias, instrucciones y normas de seguridad son amplias pero no pueden abarcar todos los riesgos potenciales y peligros, por lo que no pueden considerarse exhaustivas. Le rogamos que sea prudente y que valore los peligros convenientemente. El uso o el manejo incorrecto del producto pueden causar situaciones potencialmente mortales. Precaución: para evitar riesgos, deje que un experto se ocupe de las reparaciones. En caso de que se efectúen reparaciones de forma independiente o de que el producto no esté bien instalado ni se use de forma adecuada, la responsabilidad estará limitada y las reclamaciones de garantía quedarán sin efecto. Solo se pueden utilizar piezas originales correspondientes a las especificaciones originales del producto para las reparaciones.

PRECAUCIÓN: el dispositivo resulta peligroso para los niños y para las personas con capacidades físicas, psíquicas o sensoriales reducidas (por ejemplo, las personas discapacitadas, las mayores o las que tengan una disminución de sus capacidades físicas o psíquicas), así como aquellas que carezcan de conocimientos o experiencia. No deje que los niños jueguen con este producto. Tampoco deben encargarse de la limpieza los niños y las personas con capacidades físicas, psíquicas o sensoriales reducidas.

NOTA: Hay riesgo de deterioro. El producto puede dañarse si se utiliza de forma incorrecta.

Peligro por electrocución. Si la instalación eléctrica presenta fallos o si la tensión de la red es demasiado alta puede producirse una electrocución. Conecte el dispositivo solo si la tensión de la toma se ajusta a las especificaciones técnicas. Asimismo, conéctelo a un enchufe al que se acceda con facilidad para garantizar que en caso de fallo se pueda desconectar rápidamente de la red. No utilice el producto si presenta daños visibles o si el cable o el enchufe de la red están defectuosos. Como protección adicional, se recomienda utilizar un dispositivo de protección diferencial con una corriente de activación inferior a los 30 mA. Pida asesoramiento a un electricista.

Abra el producto solo como se describe en este manual. Para evitar riesgos, deje que un experto se ocupe de las reparaciones. Pida asesoramiento en un taller especializado. En caso de que se efectúen reparaciones o modificaciones de forma independiente o de que el producto no esté bien instalado ni se use de forma adecuada, la responsabilidad estará limitada y las reclamaciones de garantía quedarán sin efecto. Este producto está equipado con piezas eléctricas y mecánicas imprescindibles para proteger contra riesgos potenciales.

Nunca toque el dispositivo con las manos húmedas. Nunca tire del cable

para soltar el enchufe, tire de este. Mantenga el producto, el enchufe y todos los cables lejos de llamas y de superficies calientes. Extienda el cable de forma que no suponga un riesgo de tropezar con él y no lo meta bajo tierra. Colóquelo de tal modo que no se pueda dañar con cortacésped u otros dispositivos similares. No lo retuerza ni lo sitúe sobre aristas. No utilice alargadores, regletas ni otros adaptadores.

Los sistemas de filtrado no deben funcionar en seco (sin agua). Gracias al agua se refrigeran; en caso de funcionamiento en seco, no hay garantía de sustitución. No coloque nunca la bomba ni el filtro en la piscina. El sistema de filtrado no debe ponerse en funcionamiento mientras se utilice la piscina. Instale el producto con un margen de seguridad adecuado respecto a la piscina para evitar que los niños lo utilicen para acceder a la piscina. No sumerja el sistema de filtrado, el cable de alimentación ni el enchufe en agua ni otros líquidos. La bomba del sistema de filtrado está diseñada para garantizar una buena protección frente a los cuerpos extraños y la pulverización de agua. Sin embargo, debe instalarse de forma que esté protegida adecuadamente de las condiciones meteorológicas. No realice NUNCA el mantenimiento de la unidad mientras el cable esté enchufado. **HAY RIESGO DE SUCCIÓN Y DE ATRAPAMIENTO; SI NO SE EVITAN, SE PUEDEN PRODUCIR LESIONES GRAVES O MORTALES.** No tapone la succión de la bomba ni en la piscina ya que se pueden producir lesiones graves o mortales.

Compruebe el suministro

NOTA: Hay riesgo de deterioro. El producto puede dañarse si abre el paquete con un cuchillo u otros objetos afilados sin la atención y la diligencia adecuadas. Le pedimos que abra el paquete con mucho cuidado.

- Extraiga el producto del paquete.
- Compruebe que se ha incluido la totalidad de las piezas. Cotéjelo con el esquema / la imagen L1.
- Compruebe si el dispositivo o sus piezas presentan daños. En caso afirmativo, no utilice el producto. Póngase en contacto con el servicio técnico en la dirección indicada al final del manual.

Funcionamiento

Las bolas de filtrado del tanque aseguran que las partículas de suciedad y los desechos que flotan se filtran adecuadamente durante un largo periodo de tiempo. El agua sucia se extrae de la piscina a través de la tubería de succión, pasa por la bomba y se introduce en el tanque de filtrado. Con el paso del agua por el tanque, las partículas de suciedad se depositan en las bolas y por lo tanto, se filtra el agua de la piscina. El agua purificada vuelve por la tubería de retorno a la piscina.

Para que funcione el sistema de filtrado, necesita un *skimmer* de superficie, ya sea integrado (construido en la pared de la piscina) o de suspensión (anclado a la pared).

Situación

Coloque el *skimmer* y la boquilla de entrada de tal forma que haya un margen de seguridad suficiente respecto a la pared de la piscina. Recomendamos que el sistema de filtrado se sitúe sobre un soporte (como losas de hormigón lavado). Este se debe haber instalado con ayuda de un nivel de burbuja. El sistema de filtrado no se puede colocar, en ninguna circunstancia, sobre hendiduras ni directamente sobre la hierba, ya que hay peligro de inundación o riesgo de sobrecalentamiento de la bomba.

Si la piscina está enterrada total o parcialmente, puede colocar la bomba en un hueco para el filtro, conectado directamente al vaso. En este caso, cerciórese de que el espacio del filtro no es inundable. Para ello, instale una lámina con grava para que el agua del entorno y de la lluvia se drene. Resultaría ideal conectar de forma directa el sumidero del depósito del filtro (o la bomba de sedimentos, con conmutador automático de flotación). Es importante asegurar que el espacio ara el filtro no es hermético, dado que se podrían producir daños debido a la condensación. Se debe escoger el tamaño del eje de filtrado de acuerdo con el funcionamiento del sistema de filtrado.

Instalación

Montaje del sistema de filtrado (ilustración 1)

Monte el sistema de filtrado en su ubicación definitiva. El filtro está compuesto por las siguientes piezas:

1. Soporte de unión 90°
2. Cubierta transparente
3. Anillo de sujeción
4. Tanque de filtrado
5. Tornillos de unión Ø 32/38 mm
6. Soporte para la bomba del filtro
7. Manguera de conexión Ø 32 mm

Montaje del sistema de filtrado (ilustraciones 2, 3 y 4)

1. Abra el anillo de sujeción y retire la cubierta transparente del taque de filtrado.
2. Llene el tanque con las bolas incluidas en el pedido (320 g aprox.)
3. Coloque la junta en la parte inferior de la cubierta.
4. Vuelva a situar la cubierta en la parte superior del taque. Es importante que las piezas estén limpias y sin residuos antes de ejecutar este paso.
5. La cubierta se conecta al tanque mediante el anillo de sujeción. Este se une mediante tornillos y tuercas.
6. Instale el soporte de unión en la parte superior de la cubierta transparente.
7. Para terminar, conecte el soporte a la bomba. Apriete todas las uniones con abrazaderas y cerciórese de que las piezas conectadas a la bomba están bien selladas con cinta de teflón.

Conexiones de la manguera de la bomba (ilustración 5)

- A. Línea de retorno: unión entre el tanque y la conexión con la boquilla de entrada (piscina). El agua filtrada vuelve a la piscina en este punto.
- B. *Skimmers*: unión entre la conexión del *skimmer* (piscina) y la bomba de filtrado. El agua que se va a limpiar se extrae en este punto de la piscina.

Instrucciones de instalación del sistema de filtrado

- Cuando se haya instalado correctamente el sistema de filtrado, se haya llenado la cámara de arena y se hayan conectado las mangueras según se explica anteriormente, puede empezar con el filtrado.
- No enchufe el sistema hasta que se le indique más adelante.
- Cerciórese de que la bomba no está enchufada a la red.
- Antes de poner en marcha el sistema de filtrado, es importante cerciorarse de que está situado fuera de la piscina y de que está por debajo del nivel del agua de esta. Además, las mangueras deben estar correctamente conectadas y ajustadas.
- Si no lo ha hecho con anterioridad, llene la piscina de agua. Asegúrese de que el nivel del agua está entre 2,5 y 5 cm sobre la entrada de la manguera (*skimmer*) y de los puntos de retorno.
- En este momento, el sistema de filtrado está descargado. Si procede, abra el tornillo de purga en la parte superior de la cubierta hasta que circule el agua.
- Suelte la válvula de cierre del puerto de entrada (*skimmer*). Si ha taponado el punto de entrada, quite el tapón para dejar que entre el agua en la manguera.
- Dado que el sistema de filtrado se sitúa por debajo del nivel de la piscina, el agua entra automáticamente en el sistema.
- Deje que se llene el tanque de agua.
- Compruebe si hay filtraciones en el sistema o en las mangueras y repárelas si es necesario. Es posible que haya puntos de fuga debido a las tolerancias de fabricación, que se resuelven sellando las conexiones con cinta de teflón antes de conectar la manguera.
- El sistema de filtrado ya está listo para su uso.

Limpieza de las bolas de filtrado

Las bolas de filtrado del tanque aseguran que las partículas de suciedad y los desechos que flotan se filtran adecuadamente durante un largo periodo de tiempo.

El sistema de filtrado reduce su rendimiento según aumenta la cantidad de contaminación del agua. Debe comprobarla periódicamente.

Si se reduce el rendimiento, tiene estas dos opciones:

- A. Sustituir las bolas de filtrado
- B. Lavar las bolas en la lavadora a una temperatura máxima de 30 °C.

Tiempo de filtrado

El agua de la piscina se debe poner en circulación y filtrar, como mínimo, entre tres y cinco veces por periodo de 24 horas, en función de la carga y del tamaño del sistema de filtrado. El tiempo necesario varía según el rendimiento del sistema y la capacidad de la piscina. No obstante, recomendamos un funcionamiento mínimo de 12 horas diarias.

Instrucciones eléctricas

El sistema que ha adquirido está equipado con un cable de conexión que solo se debe conectar a un dispositivo de protección diferencial con una corriente de activación inferior a los 30 mA.

Información técnica

- Caudal del grupo: 4m³/h
- Caudal del Sistema: 3,5 m³/h
- La bomba no tiene autocebado
- Temperatura máxima del agua: 35 °C
- 220/230 V / 100 W
- Tanque: Ø 200 mm
- Conector: Ø 32/38 mm
- Base
- Se necesitan 320 g de bolas de filtrado
- Para piscinas de hasta 19.000 l de capacidad

Nota importante

Instrucciones de cuidado

Los contaminantes visibles se eliminan mediante el sistema de filtrado. No ocurre igual con las algas, las bacterias u otros microorganismos, que también suponen una amenaza constante para la claridad, la limpieza y la salubridad del agua de la piscina. Para evitarlos o eliminarlos se dispone de tratamientos especiales, dosificados adecuada y permanentemente lo que garantiza la seguridad de los bañistas y la higiene del baño.

Limpieza

Utilice productos convencionales de limpieza. No emplee solventes ni agentes o instrumentos abrasivos, como los estropajos o los cepillos.

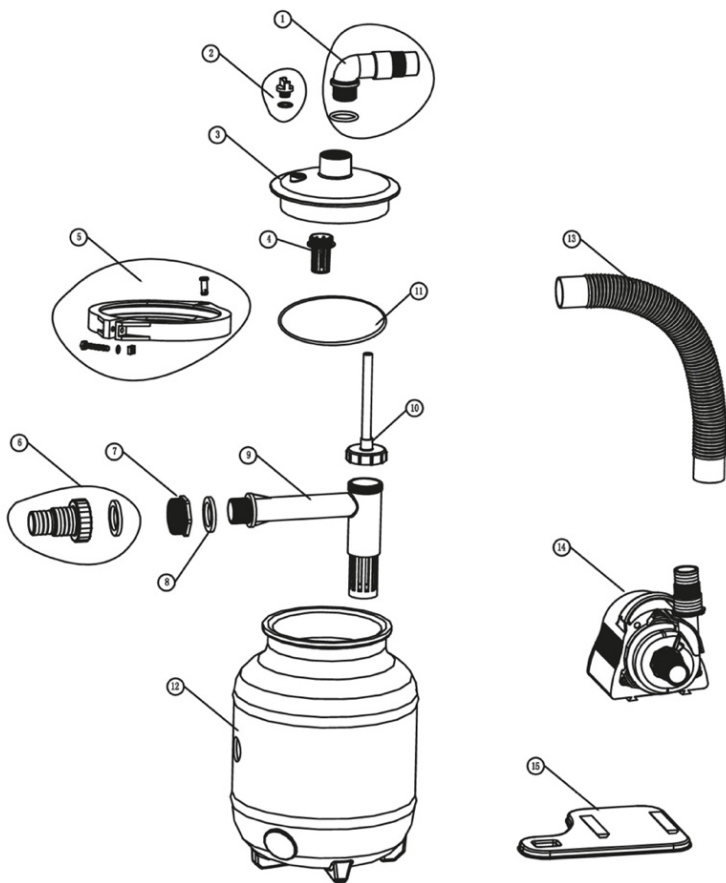
Almacenamiento

Tras su limpieza, el producto debe secarse completamente. Una vez seco, se debe guardar en un lugar seco protegido de las heladas.

Eliminación

Eliminación del paquete: el material de empaquetado se ha seleccionado según criterios medioambientales y de eliminación, por lo que es reciclable. Se pueden reciclar tanto el papel y el cartón como las cubiertas de plástico.

Eliminación del producto: aplicable en la Unión Europea y en otros estados de Europa en los que existen sistemas de recogida y clasificación de materiales reciclables. Cumpla con las normas de su lugar de residencia cuando vaya a deshacerse del producto.



Nº	Nombre	Material	Cantidad
1	CONECTOR	PP	1
	Junta tórica 1	Caucho	1
2	TAPÓN	ABS	1
	Junta tórica 2	Caucho	1
3	CUBIERTA SUPERIOR	PMMA	1
4	Eliminador	ABS	1
5	TORNILLO	SUS304	1
	TUERCA	Latón	1
	JUNTA	SUS304	1
	SUJECIÓN	PA6	1
	ABRAZADERA DERECHA	PA6	1
	ABRAZADERA IZQUIERDA	PA6	1
6	Conector 32/38	PP	1
	JUNTA DE ESTANQUEIDAD	Caucho	1
7	CONECTOR DE TRANSMISIÓN	PP	1
8	JUNTA DEL CONECTOR DE TRANSMISIÓN	Caucho	2
9	TUBO DE FILTRADO	PP	1
10	TUBERÍA DE EVACUACIÓN	-	1
11	JUNTA TÓRICA GRANDE DE LA VÁLVULA	Caucho	1
12	TANQUE MOLDEADO POR SOPLADO, 200	PE	1
13	MANGUERA PE	PE	1
14	BOMBA DE AGUA 100 W	-	1
15	BASE	PP	1



ILLUSTRATION 1 |

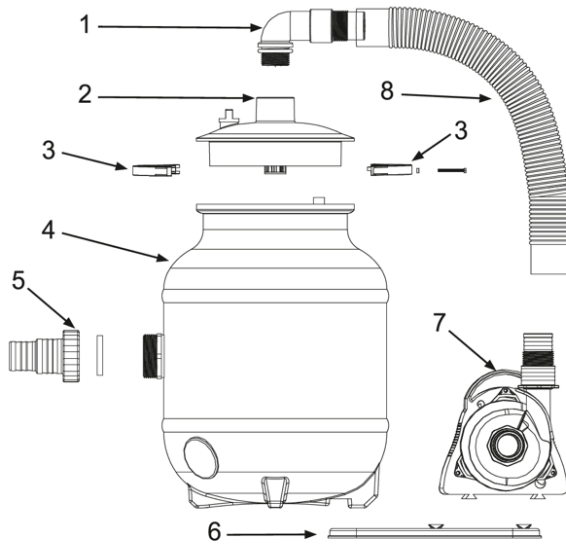


ILLUSTRATION 2

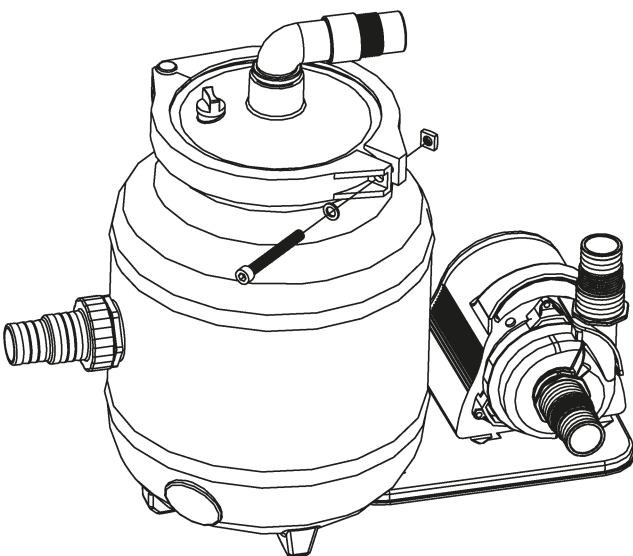


ILLUSTRATION 3

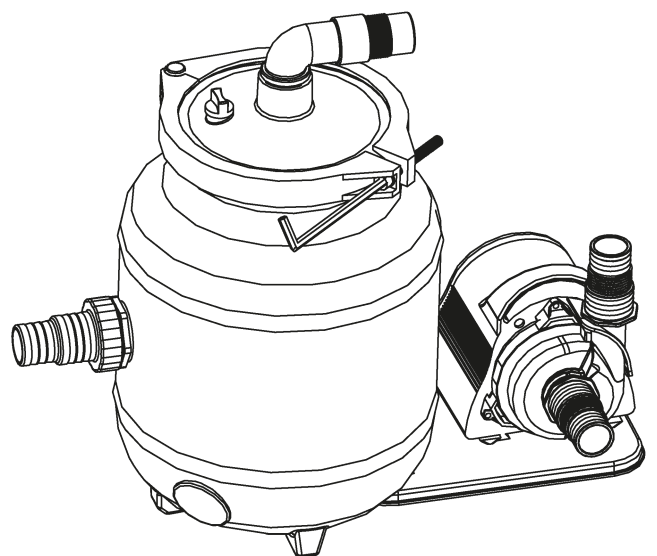


ILLUSTRATION 4

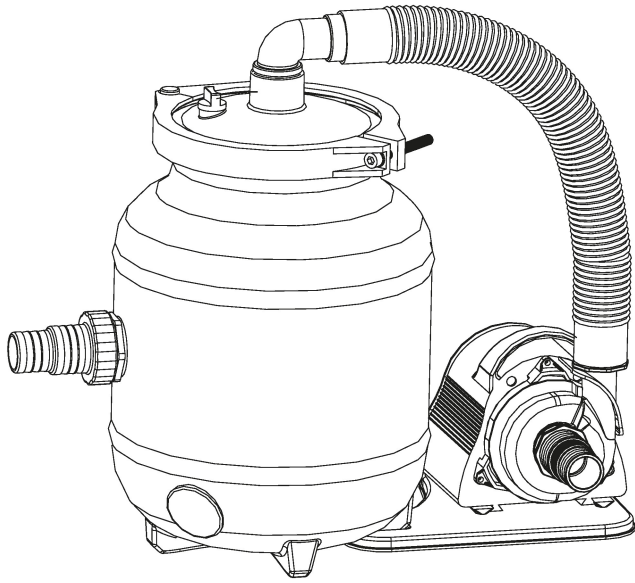


ILLUSTRATION 5

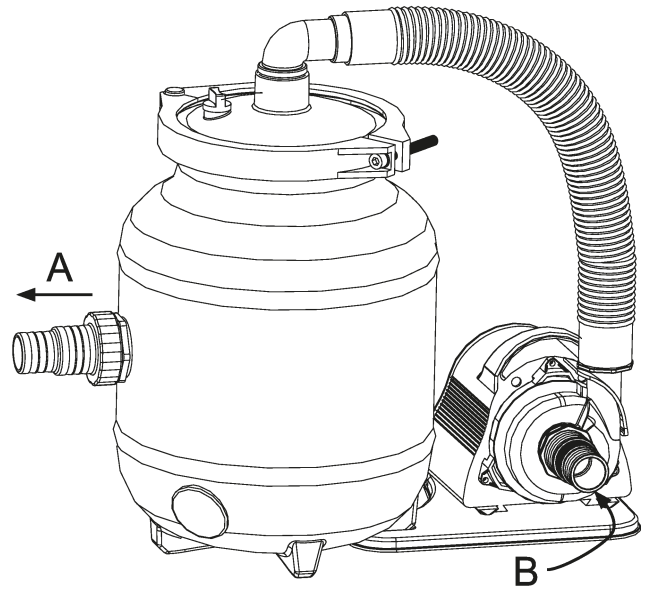
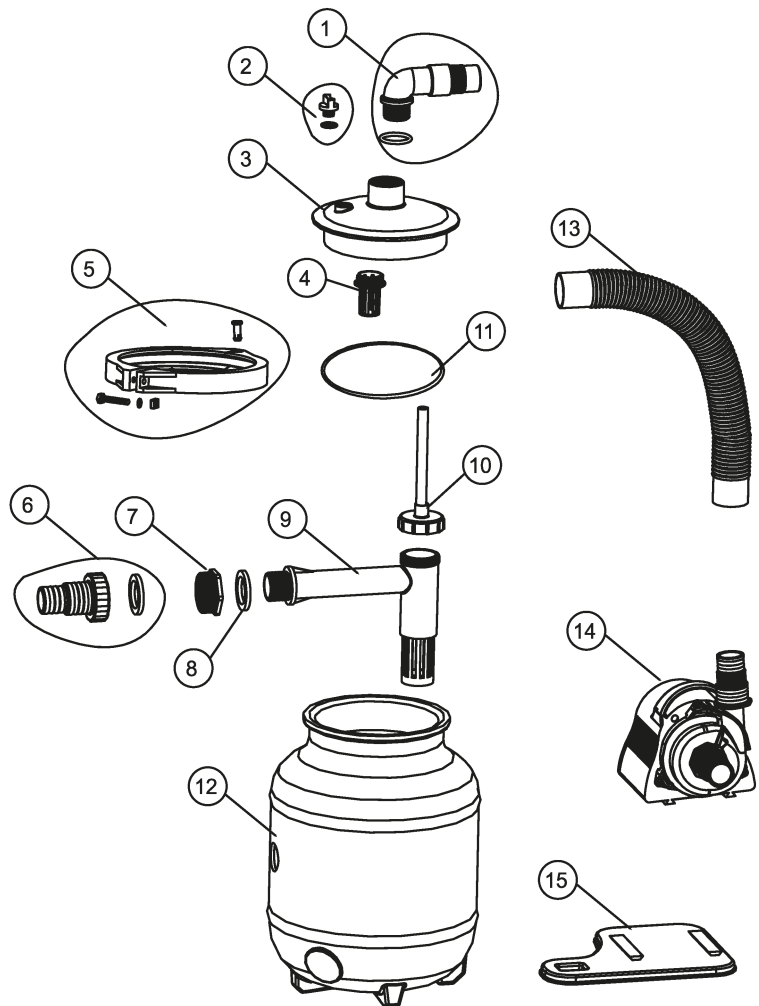


ILLUSTRATION E1/L1 (PARTS)



Introduction

Nous vous remercions d'avoir acquis ce produit de GRE. Nous développons et améliorons nos produits constamment, mais nous vous prions de bien vouloir nous excuser en cas d'avoir détecté un défaut quelconque. Dans ce cas, n'hésitez pas à contacter notre centre de services.

Lisez cette notice attentivement et conservez-la dans un lieu sûr

Notice pour l'unité de filtration par billes à nettoyage rapide

Cette notice concerne le produit indiqué précédemment. Elle reprend des renseignements importants sur la première utilisation du dispositif et sur la façon de le manipuler. Avant d'utiliser le produit, lisez attentivement la notice, en particulier les avertissements de sécurité. La non-observation des indications reprises dans cette notice pourrait entraîner des blessures ou endommager le produit. Le présent manuel est basé sur les normes et les règlements applicables dans l'Union Européenne ; si vous utilisez ce dispositif en dehors de l'UE, vous devrez suivre les consignes et la législation propres du pays en question. Conservez la notice dans un lieu sûr pour de futures consultations ou pour la remettre à autrui.

Usage prévu

Ce produit est exclusivement destiné à un usage privé et il n'est pas apte pour un usage commercial. Utilisez-le uniquement sous la forme décrite dans la notice. Une utilisation différente serait considérée comme un usage incorrect et elle risquerait de causer des dommages personnels ou matériaux. Cet élément n'est pas un jouet. Le fabricant et le distributeur se dégagent de toute responsabilité concernant les dommages causés suite à un usage incorrect ou abusif.

Avertissements et consignes de sécurité

Lisez et respectez l'ensemble des instructions ici reprises. La non-application des avertissements et des consignes indiqués peut causer des dommages matériaux et des blessures personnelles graves, voire même mortelles. Les avertissements, instructions et normes de sécurité présentent une portée générale, mais ne peuvent pas inclure tous les risques potentiels et dangereux, c'est pourquoi ils ne peuvent pas être considérés comme exhaustifs. Nous vous prions par conséquent d'être prudent et d'évaluer les dangers convenablement. Un usage non adapté ou une manipulation incorrecte du produit peuvent causer des situations potentiellement mortelles. Attention : pour éviter des risques, laissez qu'un expert s'occupe des réparations. Si les réparations sont réalisées de façon indépendante ou si le produit est mal installé ou incorrectement utilisé, la responsabilité sera limitée et les réclamations de garantie resteront sans effet. Seules des pièces originales peuvent être utilisées, d'après les spécifications originales du produit pour les réparations.

ATTENTION : le dispositif est dangereux pour les enfants et pour les personnes avec un handicap physique, psychique ou sensoriel réduit (par exemple, les personnes handicapées, les personnes âgées ou bien celles dont les capacités physiques ou psychiques sont diminuées), ainsi que celles sans connaissances ni expérience. Ne laissez pas jouer les enfants avec ce produit. Ces derniers, ainsi que les personnes avec des capacités physiques, psychiques ou sensorielles réduites ne doivent pas se charger des tâches de nettoyage.

REMARQUE : il existe un risque de détérioration. Le produit peut être endommagé s'il est utilisé de façon incorrecte.

Danger par électrocution. Si l'installation électrique présente des défauts ou bien si la tension du réseau est trop élevée, il existe un risque d'électrocution. Connectez le dispositif uniquement si la tension de la prise correspond aux spécifications techniques. Par ailleurs, connectez-le à une prise facilement accessible pour assurer une déconnexion rapide du réseau en cas de défaut. Ne pas utiliser le produit s'il présente des dommages visibles ou bien si le câble ou la prise du réseau sont défectueux. Comme protection supplémentaire, il est conseillé d'utiliser un dispositif de protection différentiel avec un courant d'activation inférieur à 30 mA. Demandez conseil à un électricien.

Ouvrez le produit uniquement tel que cela est décrit dans la notice. Pour éviter de possibles risques, laissez qu'un expert s'occupe des réparations. Demandez conseil à un atelier spécialisé. Si des réparations ou des modifications sont effectuées de façon indépendante ou bien si le produit n'est pas bien installé ni correctement utilisé, la responsabilité sera limitée et les réclamations de garantie resteront sans effet. Cet équipement incorpore des pièces électriques et mécaniques indispensables pour assurer une protection contre des risques potentiels.

Ne touchez jamais le dispositif avec les mains humides. Ne tirez jamais le câble pour débrancher l'appareil, il faut uniquement tirer sur la prise. Conservez le produit, la prise et l'ensemble des câbles éloignés des flammes et des surfaces chaudes. Étendez le câble de façon à ne créer aucun risque de chute et ne le placez pas sous terre. Placez-le de façon qu'il ne soit pas endommagé par une tondeuse ou par un tout autre dispositif similaire. Ne le retordez pas et ne le placez pas sur des arêtes.

N'employez pas de rallonges, de borniers ni d'adaptateurs, quelle que

soit leur nature.

Les systèmes de filtration ne doivent pas fonctionner à sec (sans eau). Grâce à l'eau, ils se réfrigèrent ; en cas de fonctionnement à sec, il n'existe pas de garantie de substitution. Ne jamais placer la pompe ni le filtre dans la piscine. Le système de filtration ne doit pas être mis en marche pendant l'utilisation de la piscine. Installez le produit avec une marge de sécurité adéquate par rapport à la piscine afin d'éviter que les enfants ne l'utilisent pour accéder à la piscine. Ne pas immerger le système de filtration, le câble d'alimentation ni la prise dans de l'eau ou autres liquides. La pompe du système de filtration est conçue pour garantir une bonne protection contre les corps étrangers et la pulvérisation avec de l'eau. Il faut néanmoins l'installer de façon à ce qu'elle soit correctement protégée contre les conditions météorologiques. Ne JAMAIS effectuer de maintenance de l'unité pendant que le câble est branché. **IL EXISTE UN RISQUE DE SUCCION ET DE COINCEMENT; S'ILS NE SONT PAS ÉVITÉS, DES BLESSURES GRAVES OU MORTELLES PEUVENT SE PRODUIRE.** Ne pas boucher la succion de la pompe y compris dans la piscine pour éviter des blessures graves ou mortelles.

Vérifiez l'approvisionnement

REMARQUE : il existe un risque de détérioration. Le produit peut être endommagé si vous ouvrez le paquet avec un couteau ou avec des objets pointus sans l'attention ni la diligence nécessaires. Nous vous demandons d'ouvrir le paquet avec grand soin.

- Sortez le produit du paquet.
- Vérifiez que toutes les pièces soient incluses d'après le schéma/l'image L1.
- Vérifiez que le dispositif ou les pièces ne présentent pas de dommages. Si c'était le cas, n'utilisez pas le produit. Contactez le service technique à l'adresse indiquée à la fin du manuel.

Fonctionnement

Les billes de filtration du réservoir permettent que les particules de saleté et les déchets qui flottent soient correctement filtrés pendant une longue période de temps. L'eau sale est extraite de la piscine à travers le tuyau de succion, elle passe par la pompe et elle est ensuite réintroduite dans le réservoir de filtration. Lorsque l'eau passe par le réservoir, les particules de saleté se déposent dans les billes et l'eau de la piscine est par conséquent filtrée. L'eau purifiée revient par le tuyau de retour à la piscine.

Pour un fonctionnement optimal du système de filtration, vous devrez utiliser un *skimmer* de surface, soit intégré (construit dans la paroi de la piscine), soit de suspension (ancré à la paroi).

Situation

Placez le *skimmer* et la buse d'entrée de façon à établir une marge de sécurité suffisante par rapport à la paroi de la piscine. Nous vous conseillons de placer le système de filtration sur un support (comme des dalles en béton lavé, par exemple). De dernier doit être installé à l'aide d'un niveau à bulle. Le système de filtration ne peut en aucun cas être placé sur des fentes ni directement sur l'herbe, étant donné qu'il existe un danger d'inondation ou de surchauffe de la pompe.

Si la piscine est totalement ou partiellement enterrée, vous pouvez placer la pompe sur un creux pour le filtre, directement connecté au bassin. Dans ce cas, vérifiez que l'espace du filtre ne soit pas inondable. Pour cela, installez une feuille avec du gravier pour que l'eau de l'entourage et en provenance de la pluie puisse être drainée. Il serait préférable de connecter directement le puits du réservoir du filtre (ou la pompe de sédiments, avec commutateur automatique de flottaison). Il est important d'assurer que l'espace pour le filtre ne soit pas hermétique, afin d'éviter les dommages associés à la condensation. Il faut choisir la taille de l'axe de filtration selon le fonctionnement du système de filtration.

Installation

Montage du système de filtration (figure 1)

Montez le système de filtration à son emplacement définitif. Le filtre est composé des pièces suivantes :

8. Support d'union 90°
9. Couverture transparente
10. Bague de fixation
11. Réservoir de filtration
12. Vis d'union Ø 32/38 mm
13. Support pour la pompe du filtre
14. Tuyau de raccordement Ø 32 mm

Montage du système de filtration (figures 2, 3 et 4)

8. Ouvrez la bague de fixation et retirez la couverture transparente du réservoir de filtration.
9. Remplissez le réservoir avec les billes incluses dans la commande (320 g approx.)
10. Placez le joint sur la partie inférieure de la couverture.
11. Placez à nouveau la couverture sur la partie supérieure du réservoir. Il est important que les pièces soient propres et sans résidus avant d'exécuter cette étape.
12. La couverture est connectée au réservoir avec la bague de fixation. Cette dernière est reliée avec des vis et des écrous.
13. Installez le support de raccordement sur la partie supérieure de la couverture transparente.
14. Pour terminer, connectez le support à la pompe. Serrez toutes les unions avec des anneaux de serrage et vérifiez que les pièces connectées à la pompe soient correctement scellées avec de la bande de téflon.

Raccordements du tuyau flexible de la pompe (figure 5)

- C. Ligne de retour : union entre le réservoir et le raccordement avec la buse d'entrée (piscine). L'eau filtrée retourne à la piscine à ce point.
- D. *Skimmers* : union entre la connexion du *skimmer* (piscine) et la pompe de filtration. L'eau qui va être nettoyée est extraite à ce point de la piscine.

Séquence d'installation du système de filtration

- La filtration peut commencer une fois que le système de filtration ait été correctement installé, que la chambre ait été remplie de sable et que les tuyaux flexibles aient été connectés tel que cela est expliqué ci-dessus.
- Ne pas brancher le système avant que cela ne soit indiqué.
- Vérifier que la pompe ne soit pas branchée au réseau.
- Avant de mettre le système de filtration en marche, il est essentiel de vérifier qu'il soit placé en dehors de la piscine et qu'il soit en dessous du niveau de l'eau de cette dernière. Par ailleurs, les tuyaux flexibles devront être correctement connectés et ajustés.
- Si vous ne l'avez pas fait, remplissez la piscine d'eau. Vérifiez que le niveau de l'eau se situe entre 2,5 et 5 cm sur l'entrée du tuyau (*skimmer*) et des points de retour.
- À ce moment, le système de filtration est déchargé. Si besoin, ouvrez la vis de purge sur la partie supérieure de la couverture jusqu'à ce que l'eau commence à circuler.
- Lâchez la vanne d'arrêt du port d'entrée (*skimmer*). Si le point d'entrée a été bouché, retirez le bouchon pour laisser entrer l'eau dans le tuyau.
- Étant donné que le système de filtration se situe en dessous du niveau de la piscine, l'eau entre automatiquement dans le système.
- Laissez que le réservoir d'eau se remplisse.
- Vérifiez la présence de filtrations dans le système ou dans les tuyaux et réparez-les si besoin. Il peut exister des points de fuite en raison des tolérances de fabrication qui peuvent être résolus en scellant les connexions avec de la bande de téflon avant de connecter le tuyau.

- Le système de filtration est désormais prêt à être utilisé.

Nettoyage des billes de filtration

Les billes de filtration du réservoir permettent que les particules de saleté et les déchets qui flottent soient correctement filtrés pendant une longue période de temps.

Le système de filtration réduit son rendement plus la quantité de pollution de l'eau augmente. Il faut vérifier ces valeurs régulièrement.

Si le rendement baisse, vous avez deux options :

- C. Remplacer les billes de filtration
- D. Laver les billes dans le lave-linge à une température maximale de 30 °C.

Temps de filtration

L'eau de la piscine doit être mise en circulation et filtrer, au moins, entre trois et cinq fois par périodes de 24 heures, en fonction de la charge et de la taille du système de filtration. Le temps nécessaire varie selon le rendement du système et la capacité de la piscine. Cependant, nous conseillons un fonctionnement d'au moins 12 heures par jour.

Instructions électriques

Le système acquis est équipé d'un câble de raccordement qui doit uniquement être connecté à un dispositif de protection différentiel avec un courant d'activation inférieur à 30 mA.

Informations techniques

- Débit Groupé : 4m³/h
- Débit du système : 3,5 m³/h
- La pompe n'incorpore pas d'auto-amorçage.
- Température maximale de l'eau : 35 °C
- 220/230 V / 100 W
- Réservoir : Ø 200 mm
- Connecteur : Ø 32/38 mm
- Base
- Il faut 320 g de billes de filtration
- Pour des piscines avec une capacité de jusqu'à 19.000 l

Remarque importante

Instructions de maintenance

Les polluants visibles sont éliminés avec le système de filtration. Ce n'est pas le cas des algues, des bactéries ou autres microorganismes qui représentent également une menace constante pour la clarté, la propreté et la salubrité de l'eau de la piscine. Pour les éviter ou les éliminer, il existe des traitements spéciaux, correctement dosés et employés en permanence pour garantir la sécurité des baigneurs et l'hygiène du bain.

Nettoyage

Utilisez des produits conventionnels de nettoyage. N'utilisez pas de solvants ni d'agents ou instruments abrasifs, notamment les éponges à récurer ou les brosses.

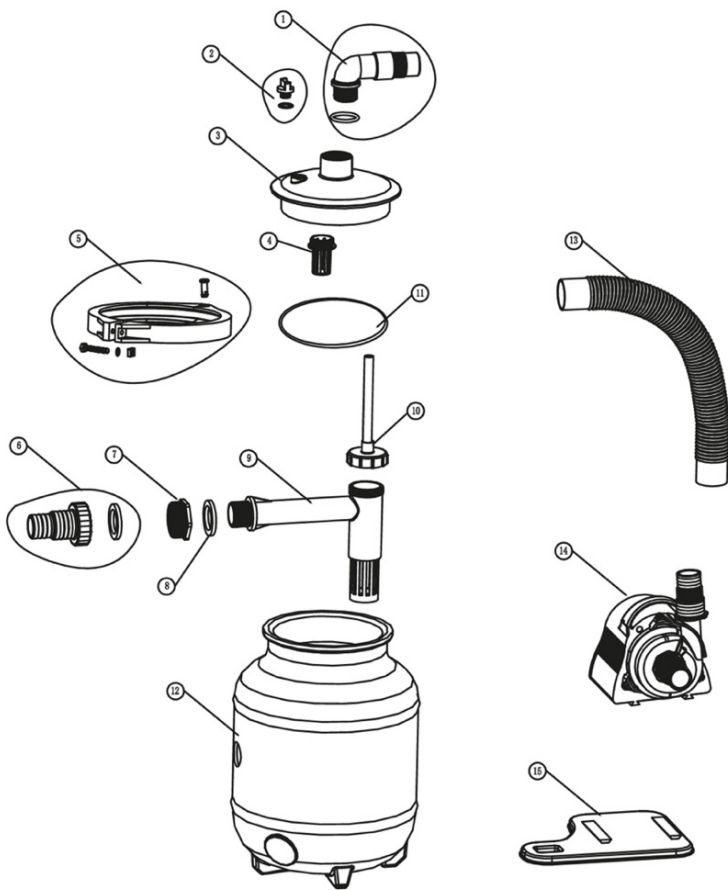
Entreposage

Après son nettoyage, le produit doit être complètement séché. Une fois sec, il doit être rangé dans un emplacement sans humidité et protégé du gel.

Élimination

Élimination du paquet : le matériau de bourrage a été sélectionné d'après des critères environnementaux et d'élimination, c'est pourquoi il est recyclable. Le papier, le carton et les couvertures en plastique peuvent être recyclés.

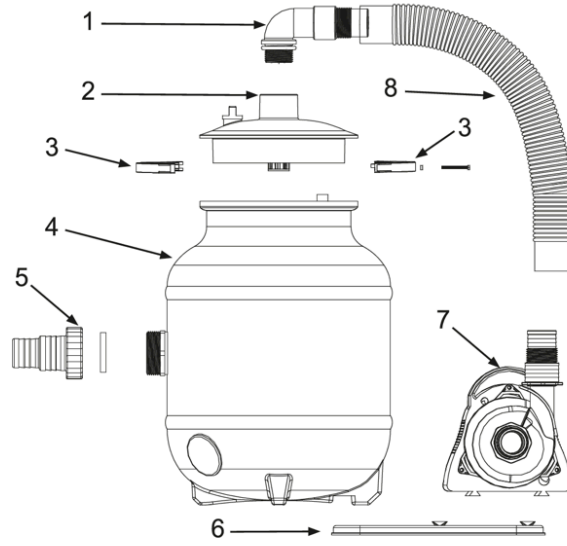
Élimination du produit : applicable dans l'Union Européenne et dans d'autres états européens dans lesquels il existe des systèmes de ramassage et de tri des matériaux recyclables. Respectez les normes de votre lieu de résidence au moment d'éliminer le produit.



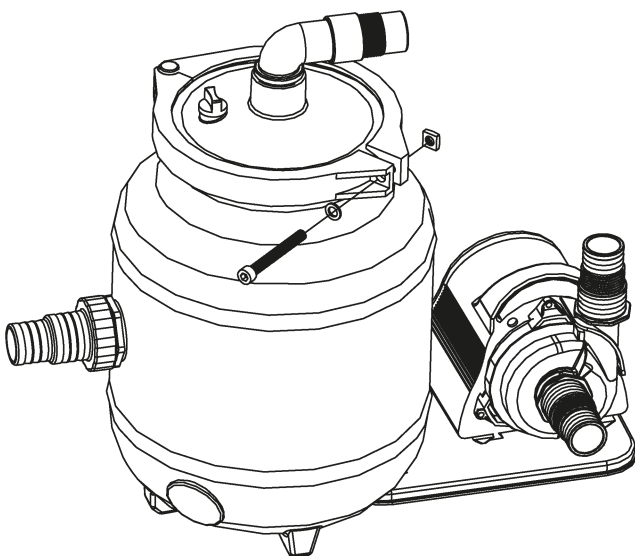
N°	Nom	Matériau	Quantité
1	CONNECTEUR	PP	1
	Joint torique 1	Caoutchouc	1
2	BOUCHON	ABS	1
	Joint torique 2	Caoutchouc	1
3	COUVERTURE SUPÉRIEURE	PMMA	1
4	Éliminateur	ABS	1
5	VIS	SUS304	1
	ÉCROU	Laiton	1
	JOINT	SUS304	1
	FIXATION	PA6	1
	ANNEAU DE SERRAGE DROITE	PA6	1
	ANNEAU DE SERRAGE GAUCHE	PA6	1
6	Connecteur 32/38	PP	1
	JOINT D'ÉTANCHÉITÉ	Caoutchouc	1
7	CONNECTEUR DE TRANSMISSION	PP	1
8	JOINT DU CONNECTEUR DE TRANSMISSION	Caoutchouc	2
9	TUYAU DE FILTRATION	PP	1
10	TUYAU D'ÉVACUATION	-	1
11	GRAND JOINT TORIQUE DE LA VANNE	Caoutchouc	1
12	RÉSERVOIR MOULÉ PAR SOUFFLAGE, 200	PE	1
13	TUYAU FLEXIBLE PE	PE	1
14	POMPE À EAU 100 W	-	1
15	BASE	PP	1

DE

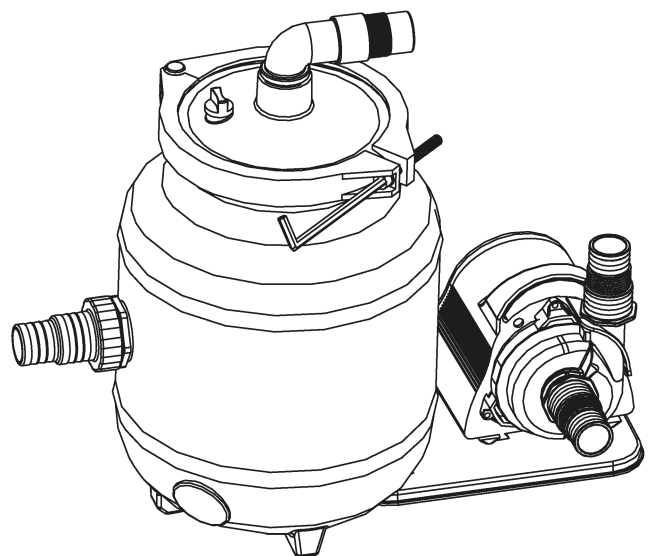
1



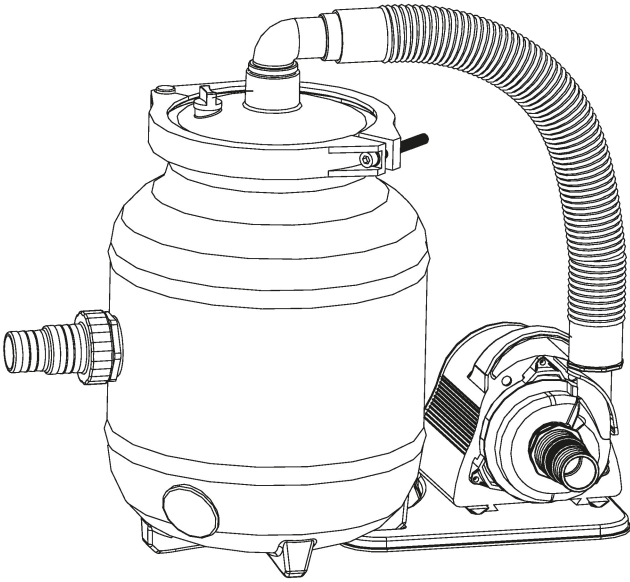
2



3



4



5

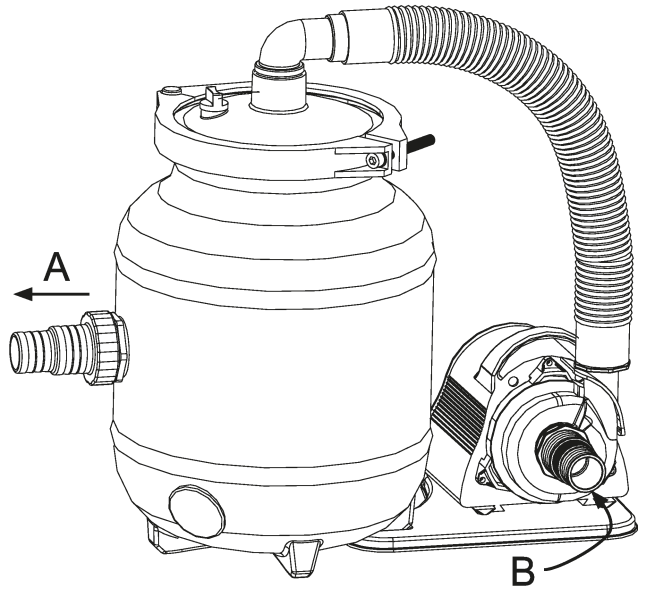
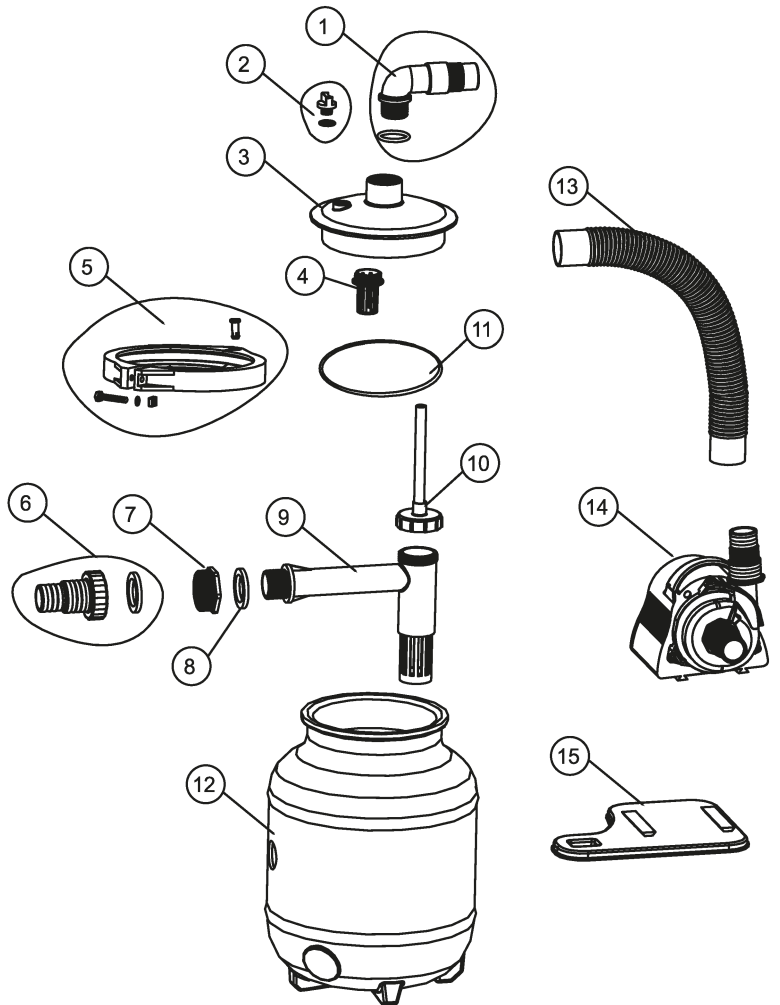


ILLUSTRATION E1/L1 (PARTS)



Einleitung

Vielen Dank für den Kauf Ihres GRE-Produkts. Wir arbeiten stets an der Verbesserung und Weiterentwicklung unserer Produkte, möchten uns jedoch dennoch bei Ihnen für durch eventuelle Fehler entstehende Unannehmlichkeiten entschuldigen und Sie bitten, in diesen Fällen unser Service-Center zu kontaktieren.

Bedienungsanleitung lesen und sicher aufbewahren

Anleitung für Filterbälle

Diese Bedienungsanleitung bezieht sich auf das oben angegebene Produkt. Sie enthält wichtige Informationen zur Erstinbetriebnahme Ihres Produkts und zum weiteren Betrieb. Lesen Sie diese Bedienungsanleitung und insbesondere die Sicherheitshinweise vor der Nutzung des Produkts sorgfältig.

Die Nichtbefolgung der Bedienungsanleitung kann zu schweren Verletzungen oder Produktschäden führen. Die Bedienungsanleitung basiert auf den Standards und Richtlinien der Europäischen Union. Bei einem Einsatz außerhalb der EU befolgen Sie bitte die Richtlinien und Gesetze des jeweiligen Landes. Bewahren Sie die Bedienungsanleitung an einem sicheren Ort auf, um sie bei Bedarf erneut lesen oder an Dritte aushändigen zu können.

Verwendungszweck

Das Produkt ist ausschließlich für den Privatgebrauch gedacht und nicht für die kommerzielle Nutzung geeignet. Verwenden Sie das Produkt nur auf die in der Bedienungsanleitung beschriebene Weise. Andere Verwendungsformen gelten als ungeeignet und können zu Verletzungen oder Sachschäden führen. Das Produkt ist kein Spielzeug. Der Hersteller oder Händler übernimmt keinerlei Haftung für Schäden durch ungeeignete oder falsche Nutzung.

Warnungen und Sicherheitshinweise

Bitte lesen und beachten Sie alle Anweisungen. Die Nichteinhaltung dieser Warnungen und Anweisungen kann zu Sachschäden, schweren Verletzungen oder sogar zum Tod führen. Die Warnungen, Hinweise und Sicherheitsvorschriften zum Produkt sind umfangreich, können jedoch nicht alle Risiken und Gefahren abdecken, weshalb sie nicht als vollständig betrachtet werden können. Bitte seien Sie vorsichtig und bewerten Sie mögliche Gefahren angemessen. Die falsche Nutzung/Handhabung des Produkts kann zu lebensbedrohlichen Situationen führen.

Achtung! Überlassen Sie Reparaturarbeiten Fachleuten, um Gefahren zu umgehen. Wenden Sie sich an eine Fachwerkstatt. Bei selbst vorgenommenen Reparaturen oder der falschen Installation oder Nutzung des Produkts erlöschen sämtliche Garantie- und Haftungsansprüche. Für die Reparatur dürfen ausschließlich Originalteile gemäß der Original-Produktspezifikationen verwendet werden. Warnung: Gefährlich für Kinder und Personen mit geringeren körperlichen, sensorischen oder geistigen Fähigkeiten (beispielsweise Menschen mit Behinderung, ältere Menschen mit eingeschränkten körperlichen und geistigen Fähigkeiten oder Personen ohne Erfahrung und Kenntnisse).

Betrieb

Die Filterbälle im Filtertank stellen sicher, dass Schmutzpartikel und Schwemmmaterial langfristig effektiv gefiltert werden. Dreckiges Wasser wird mit der Filterpumpe über die Ansaugleitung aus dem Pool gezogen und von oben in den Filtertank gegeben. Das Wasser fließt durch die Filterbälle im Filtertank, wobei die Schmutzpartikel zwischen den Filterbällen hängen bleiben und somit aus dem Poolwasser gefiltert werden. Anschließend fließt das gereinigte Wasser über das Rücklaufrohr zurück in den Pool.

Für den Betrieb des Filtersystems benötigen Sie einen Skimmer (Oberflächen-skimmer). Dies kann entweder ein integrierter Skimmer (in die Poolwand eingebaut) oder ein angebrachter Skimmer (an der Poolwand angebracht) sein.

Positionierung

Wählen Sie den Installationsbereich zwischen Skimmer und Einströmdüse so, dass ein angemessener Sicherheitsabstand zur Beckenwand besteht. Wir empfehlen Ihnen, das Filtersystem zusätzlich auf Bodenplatten zu stellen (Beispiel: gereinigte Betonplatten usw.). Diese müssen mit Hilfe einer Wasserwaage angebracht werden. Installieren Sie Ihr Filtersystem keinesfalls direkt im Rasen (Gefahr einer Überschwemmung oder Überhitzung der Filterpumpe).

Falls der Pool ganz oder teilweise abgesenkt wurde, empfiehlt sich für die Filterpumpe ein Filterstoff, der direkt mit der Beckenplatte verbunden sein sollte. Wenn sich Ihre Filterpumpe in einem Filterstoff befindet, muss sicher-gestellt sein, dass der Filterstoff nicht überschwemmt werden kann. Daher sollten Sie um den Filterstoff herum eine Röllierung (Schotter) anbringen, so dass umlaufendes Wasser und Regenwasser abfließen können. Ideal ist eine direkte Verbindung zum Abfluss am Grund des Filterschachts (oder eine Schlammpumpe mit automatischem Schwimmerschalter). Der Filterstoff darf keinesfalls luftdicht sein, da dann das Kondenswasser die Filterpumpe beschädigen kann. Die Größe des Filterschachts sollte Arbeiten am Filter ermöglichen.

Installation

Zusammenbau des Filtersystems (Abbildung 1)

Bauen Sie das Filtersystem an dem Ort, an dem Sie auch die Pumpe anbringen möchten, zusammen. Die Filterpumpe besteht aus folgenden Komponenten:

1. 90° Anschlusswinkel
2. Transparente Abdeckung
3. Klemmring
4. Filtertank
5. Schraubverbindung Ø 32/38 mm
6. Klammer für die Filterpumpe
7. Filterpumpe

Zusammenbau des Filtersystems (Abbildung 2,3,4)

1. Öffnen Sie den Klemmring und entfernen Sie die transparente Abdeckung vom Filtertank.
2. Füllen Sie den Filtertank mit den mitgelieferten Filterbällen (etwa 320 g).
3. Bringen Sie die Plombe an der Unterseite der transparenten Abdeckung an.
4. Legen Sie die transparente Abdeckung erneut auf die Oberfläche des Filtertanks. Reinigen Sie zuvor alle Oberflächen und prüfen Sie, ob diese schmutzfrei sind.
5. Die transparente Abdeckung wird mit dem Klemmring mit dem Filtertank verbunden. Der Klemmring wird mit Klemmringschraube und Klemmringmutter festgeschraubt.
6. Bringen Sie die Verbindungsklammer an der Oberseite der transparenten Abdeckung an.
7. Verbinden Sie abschließend die Verbindungsklammer mit der Filterpumpe. Befestigen Sie alle Verbindungen mit Schlauchklemmen und stellen Sie sicher, dass die Verbindungsteile der Pumpe ordentlich mit Teflonband abgedichtet sind.

Schlauchklemmen für die Pumpe (Abbildung 5)

A: Rücklaufleitung – Verbindung zwischen dem Filtertank und der Verbindung mit der Einlaufdüse (Pool). Hier fließt das gefilterte Wasser zurück in den Pool.

Skimmer – Verbindung zwischen Skimmerverbindung (Pool) und Filterpumpe. Hier wird das zu reinigende Wasser aus dem Pool abgesaugt.

Anweisungen zur Installation des Filtersystems

- Sobald das Filtersystem korrekt zusammengebaut wurde, die Sandkammern mit Sand gefüllt und die Schläuche wie oben beschrieben angeschlossen sind, können Sie mit dem Filtern beginnen.
- Stecken Sie das System nicht ein, bevor Sie unten zum entsprechenden Punkt gelangt sind.
- Stellen Sie sicher, dass die Pumpe nicht an die Stromversorgung angeschlossen ist.
- Stellen Sie vor dem Betrieb des Filtersystems sicher, dass das Filtersystem außerhalb des Pools und unterhalb des Wasserpegels des Pools positioniert ist. Die Schlauchklemmen müssen korrekt verbunden und befestigt sein.
- Füllen Sie den Pool mit Wasser, falls noch nicht geschehen. Stellen Sie sicher, dass der Wasserspiegel des Pools mindestens 2,5 cm – 5 cm über der Oberfläche des Wasserzulaufschlauchs (Skimmer) und dem Rücklauf liegt.
- Nun ist das Filtersystem belüftet. Öffnen Sie gegebenenfalls die Entlüftungsschraube an der Oberseite der transparenten Filterabdeckung, bis Wasser ausströmt.
- Entriegeln Sie das Absperrventil am Ansaugkanal (Skimmer) im Pool. Falls Sie den Ansaugkanal (Skimmer) geschlossen haben, öffnen Sie ihn, sodass Wasser in den Ansaugschlauch fließen kann.
- Wenn das Filterpumpensystem an einem Ort unterhalb des Wasserpegels Ihres Pools installiert wurde, fließt das Wasser automatisch in das Pumpenfiltersystem.
- Lassen Sie den Filtertank mit Wasser volllaufen.
- Prüfen Sie das Filtersystem und die Anschlusschläuche auf undichte Stellen und reparieren Sie diese. Undichte Stellen können durch Fertigungstoleranz entstehen. In diesem Fall müssen die Verbindungen vor Anschluss der Anschlusschläuche mit Teflonband umwickelt werden.
- Ihr Filtersystem ist nun betriebsbereit.

Reinigung der Filterbälle

Die Filterbälle im Filtertank stellen sicher, dass Schmutzpartikel und Schwemmmaterial langfristig effektiv gefiltert werden.

Die Leistung der Filteranlage verringert sich je nach Verschmutzungsgrad des Wassers. Dies ist regelmäßig zu prüfen. Falls Sie einen Leistungsabfall feststellen, nutzen Sie eine der folgenden beiden Möglichkeiten:

A: Ersetzen Sie die Filterbälle.

B: Waschen Sie die Filterbälle in einer Waschmaschine bei maximal 30°C.

Filterzeit

Das Wasser des Swimmingpools sollte je nach Kapazität und Größe des Filtersystems innerhalb von 24 Stunden mindestens 3 bis 5 Mal zirkulieren und gefiltert werden. Die benötigte Zeit ist abhängig von der Leistung des Filtersystems und der Größe des Swimmingpools. Wir empfehlen jedoch eine Mindestlaufzeit von 12 Stunden pro Tag.

Anweisung

Ihr Filtersystem verfügt über ein Verbindungskabel, das nur an einen Stromkreis mit einem Fehlerstromschutzschalter (RCCB) mit einem Bemessungsfehlerstrom von höchstens 30 mA angeschlossen werden kann.

Technische Daten:

- Gruppe-Umwälzleistung: 4m³/h
- System- Umwälzleistung: 3,5m³/h
- Die Pumpe ist nicht selbstansaugend
- Maximale Wassertemperatur 35 °C
- 220/230 V/100 W
- Tank 200 mm
- Stecker Ø 32/38 mm
- Bodenplatte
- 320 g Filterbälle erforderlich
- Für Pools mit einem Fassungsvermögen von bis zu 19.000 l

Wichtiger Hinweis

Pflegeanweisungen

Sichtbarer Schmutz wird durch das Filtersystem entfernt. Dies gilt nicht für Algen, Bakterien und andere Organismen, die ebenfalls eine konstante Bedrohung für klares, sauberes und gesundes Poolwasser darstellen. Um diese zu vermeiden oder zu entfernen gibt es spezielle Mittel zur Wasserbehandlung, die bei permanenter und richtiger Zugabe Probleme für Schwimmer vermeiden und für eine angemessene Hygiene des Badewassers sorgen.

Reinigung

Verwenden Sie konventionelle Reinigungsprodukte. Verwenden Sie keine Scheuermittel oder auf Lösemitteln basierende Reinigungsmittel und –Gerätschaften, beispielsweise keine harten Schwämme, Bürsten usw.

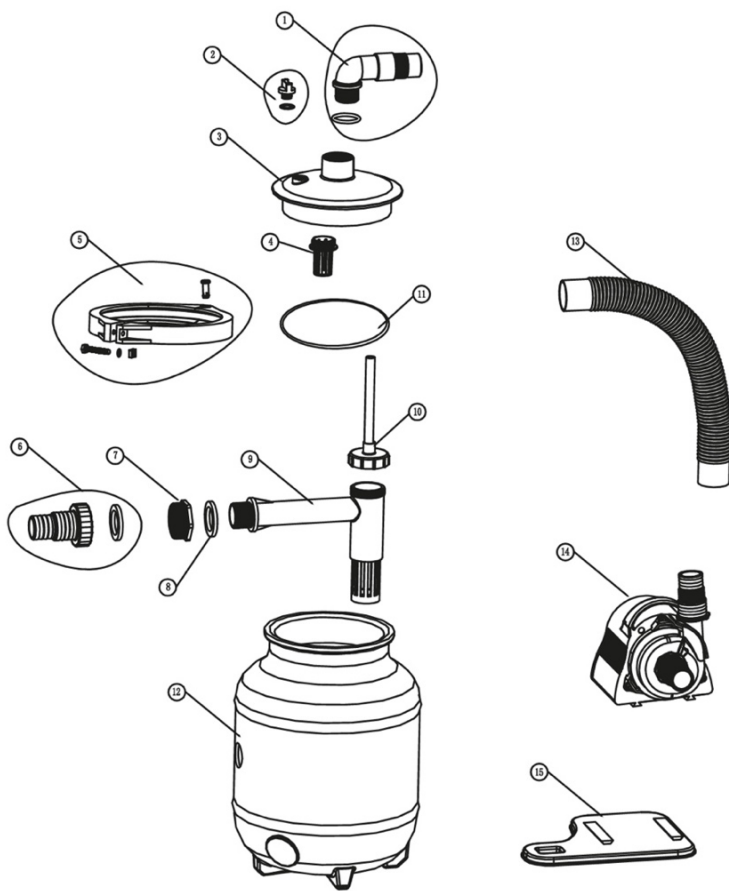
Lagerung

Vor der Reinigung muss das Produkt gründlich getrocknet werden. Anschließend muss es trocken und sicher vor Frost gelagert werden.

Entsorgung

Entsorgung der Verpackung: Bei der Auswahl des Verpackungsmaterials wurde auf Umweltverträglichkeit und Entsorgungsmöglichkeiten geachtet; es ist recycelbar. Papier und Pappe sind ebenso wie die Kunststoffabdeckungen recycelbar.

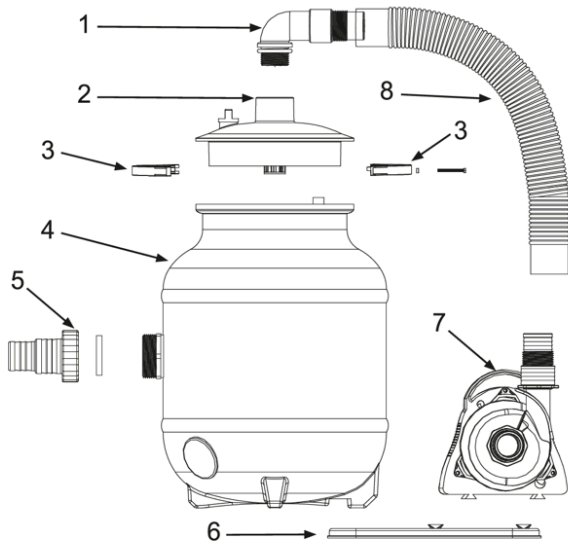
Entsorgung des Produkts: Gemäß den Richtlinien der Europäischen Union und anderer europäischer Länder mit Systemen zur Abgabe und Sortierung von Recyclingmaterial. Entsorgen Sie das Produkt in Übereinstimmung mit den Gesetzen und Regulierungen Ihres Wohnorts.



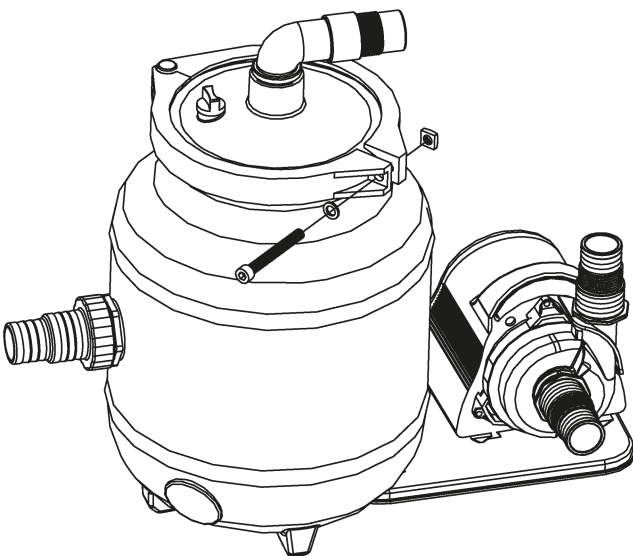
NO.	NAME	MATERIAL	Menge
1	Anschluss	PP	1
	O-Ring 1	Gummi	1
2	Kapazität	ABS	1
	O-Ring 2	Gummi	1
3	Abdeckung	PMMA	1
4	Sperrkreis	ABS	1
5	Schraube	SUS304	1
	Mutter	BRASS	1
	Dichtung	SUS304	1
	Klammer	PAS	1
	rechte Klammer	PAS	1
	linke Klammer	PAS	1
6	Reduzierungsstück	PP	1
	versiegelte Dichtung	Gummi	1
7	Übergangsstecker	n>	1
8	Übergangsstecker Dichtung	Gummi	2
9	Filterrohr	PP	1
10	Abgasrohr	-	1
11	Ventil groß O-RING	Gummi	1
12	200- blasgeformter Tank	PE	1
13	PE Schlauch	PE	1
14	100W Wasserpumpe	-	1
15	Bodenplatte	PP	1

II

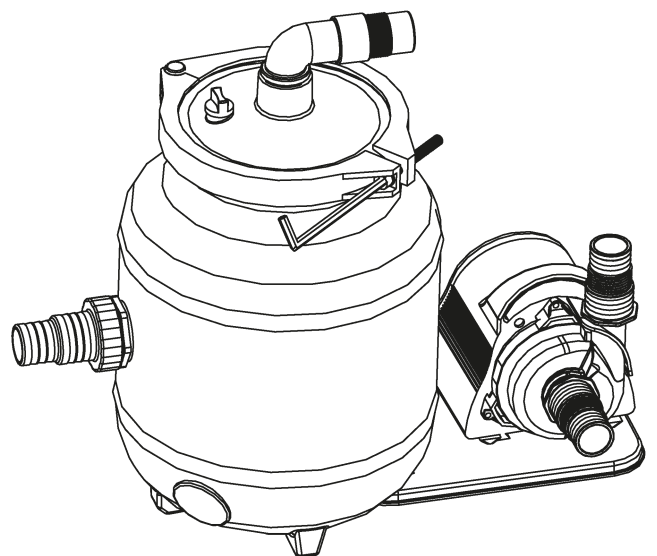
1



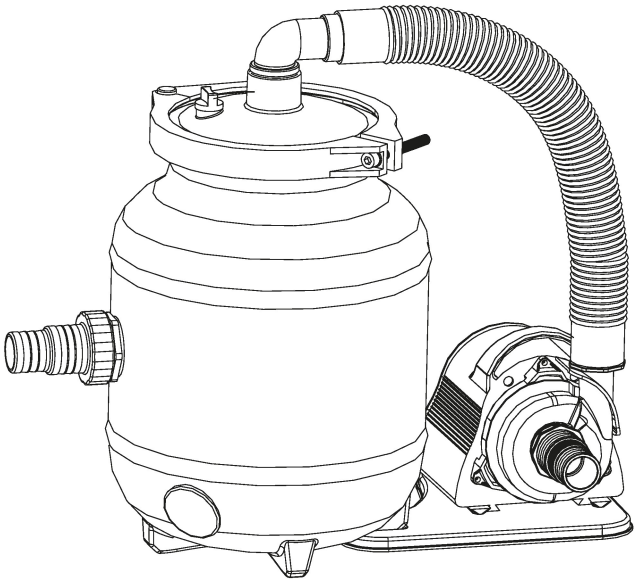
2



3



4



5

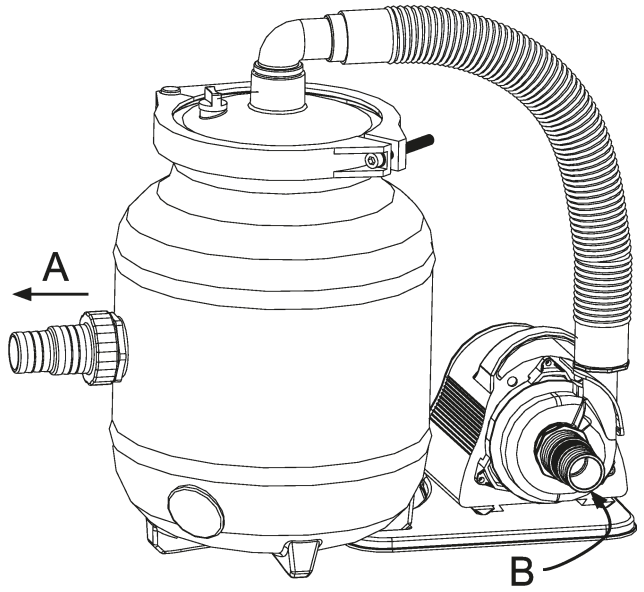
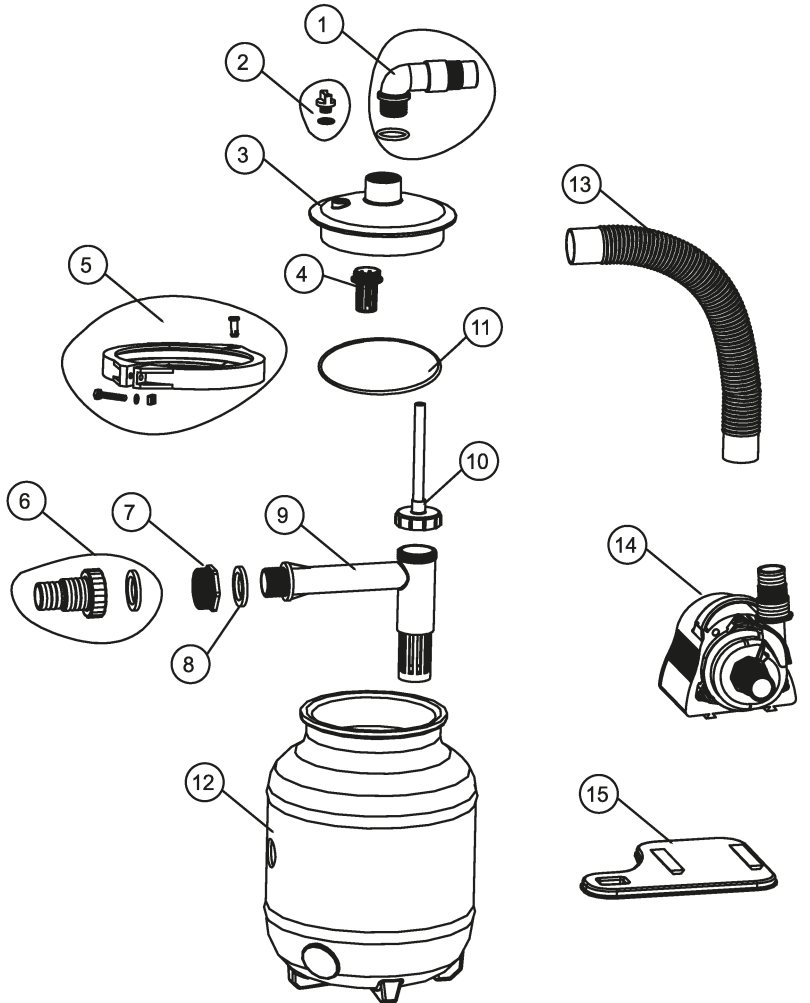


ILLUSTRATION E1/L1 (PARTS)



Introduzione

Grazie per aver acquistato questo prodotto GRE. Nonostante il nostro impegno per sviluppare e migliorare costantemente i nostri prodotti, ci scusiamo per eventuali difetti riscontrati e la invitiamo, qualora ne rilevasse, a contattare il nostro centro servizi.

Leggere il manuale di funzionamento e conservarlo in un luogo sicuro

Manuale di istruzioni per l'unità di filtrazione a sfere per pulizia rapida

Il presente manuale di istruzioni si riferisce al prodotto sopraindicato. Contiene importanti informazioni sul primo utilizzo del prodotto e sul funzionamento. Prima di utilizzare il prodotto leggere attentamente il manuale, in particolare modo le avvertenze relative alla sicurezza. Il mancato rispetto di quanto prescritto nel manuale potrebbe comportare lesioni a persone o danni al prodotto stesso. Il manuale contiene le normative e i regolamenti in vigore nell'Unione Europea, qualora il dispositivo venga utilizzato in paesi extra UE seguire le normative e le leggi vigenti nel singolo paese. Conservare il manuale in un luogo sicuro per consultazioni future o per consegnarlo a terzi qualora necessario.

Utilizzo previsto

Questo prodotto è concepito esclusivamente per uso privato e non è adatto per utilizzi commerciali. Utilizzare il prodotto esclusivamente con la modalità descritta nel manuale di istruzioni. Qualsiasi altro utilizzo è considerato improprio e può causare lesioni alle persone o danni alle cose. Questo dispositivo non è un giocattolo. Il produttore e il distributore non si assumono alcuna responsabilità per i danni derivanti da un utilizzo indebito o scorretto.

Avvertenze e istruzioni per la sicurezza

Leggere e rispettare tutte le istruzioni. Il mancato rispetto delle avvertenze e delle istruzioni riportate può causare danni materiali e lesioni alle persone, anche mortali. Le avvertenze e le istruzioni riportate sono abbastanza complete, ma non comprendono tutti i pericoli e i potenziali rischi, motivo per cui non possono essere considerate esaustive. Raccomandiamo di essere prudenti e valutare bene gli eventuali pericoli. L'utilizzo improprio o la scorretta manipolazione possono portare a condizioni potenzialmente mortali. Precauzione: onde evitare rischi affidare la riparazione a personale esperto. In caso di riparazioni fai da te o di errate installazioni del prodotto o di un utilizzo scorretto, la responsabilità sarà limitata e la garanzia perderà la validità. Per effettuare riparazioni è possibile utilizzare esclusivamente ricambi originali corrispondenti alle specifiche previste.

PRECAUZIONE: il dispositivo costituisce un pericolo per i bambini e le persone con ridotte abilità fisiche o sensoriali (ad esempio, disabili, anziani con ridotte capacità fisiche o psichiche), oltre ad essere pericoloso per chi non dispone della conoscenza o della competenza necessarie per utilizzarlo in sicurezza. Non lasciare giocare i bambini con il prodotto. I bambini e le persone con ridotte capacità fisiche o sensoriali non devono inoltre effettuare operazioni di pulizia.

NOTA: Rischio di danneggiamento! Il prodotto può subire danni se non utilizzato correttamente.

Pericolo di folgorazione! Se la rete elettrica presenta guasti o se la tensione è troppo elevata vi è il rischio di folgorazione. Collegare il dispositivo solo se la tensione della presa rispetta le specifiche tecniche indicate. Collegarlo, inoltre, a una presa facilmente raggiungibile per garantire che, in caso di guasto, il dispositivo possa essere facilmente disconnesso. Non utilizzare il prodotto se presenta danni visibili o se il cavo o la presa sono difettosi. Come ulteriore protezione, si raccomanda di utilizzare un differenziale con una corrente di attivazione inferiore ai 30mA. Chiedere il parere di un elettricista.

Aprire il prodotto esclusivamente come viene indicato nel manuale. Onde evitare rischi affidare la riparazione personale esperto. Chiedere il parere di un'officina specializzata. In caso di riparazioni o modifiche fai da te o di errate installazioni del prodotto o di un utilizzo scorretto, la responsabilità sarà limitata e la garanzia perderà la validità. Questo prodotto è dotato di parti elettriche e meccaniche indispensabili per la protezione dai

potenziali rischi.

Non toccare il dispositivo con le mani umide. Non tirare mai il cavo per estrarre l'apparecchio dalla presa, ma estrarlo tirando dalla spina. Mantene il prodotto, la spina e tutti i cavi lontano da fiamme e superfici calde. Estendere interamente il cavo in modo che non possano verificarsi inciampi o cadute. Posizionarlo in modo che non venga danneggiato con un tagliasiepi o con altri apparecchi simili. Non piegare il cavo e non posizionarlo su bordi taglienti. Non utilizzare prolunghe, prese multiple o altri adattatori. I sistemi di filtrazione non devono essere messi in funzione a secco (senza acqua). L'acqua ne consente il raffreddamento, in caso di utilizzo a secco non viene garantita la sostituzione. Non introdurre la pompa o il filtro in piscina. Il sistema di filtrazione non deve essere messo in funzione mentre si utilizza la piscina. Installare il prodotto con un margine di sicurezza idoneo rispetto alla piscina per evitare che i bambini lo utilizzino per accedere alla piscina. Non immergere il sistema di filtrazione, il cavo di alimentazione o la spina in acqua o in altri liquidi. La pompa del sistema di filtrazione è progettata per garantire una buona protezione dai corpi estranei e dagli schizzi d'acqua. Bisogna prestare attenzione affinché venga installata in posizione protetta dagli eventi atmosferici. NON effettuare manutenzione dell'unità con il cavo inserito nella presa. SI CORRE IL RISCHIO DI VENIRE ASPIRATI O DI RIMANERE IMPIGLIATI, CHE PUO' PORTARE A LESIONI GRAVI O MORTALI. Non bloccare l'aspirazione della pompa o dentro la piscina in quanto può causare danni gravi o mortali.

Verificare la fornitura

NOTA: Rischio di danneggiamento. Il prodotto può subire danni qualora la confezione venga aperta con un coltello o con altri oggetti affilati senza prestare l'attenzione e la cura necessarie. Aprire la confezione con la massima cura.

- Estrarre il prodotto dalla confezione.
- Verificare la presenza di tutti i pezzi. Comparare con quanto indicato nello schema / immagine L1.
- Controllare che il dispositivo o le sue componenti non presentino danni. In caso affermativo, non utilizzare il prodotto. Contattare il servizio di assistenza tecnica all'indirizzo indicato alla fine del presente manuale.

Funzionamento

Le sfere filtranti del serbatoio assicurano una corretta e prolungata filtrazione delle particelle di sporco. L'acqua sporca viene estratta dalla piscina attraverso il tubo di aspirazione, passa attraverso la pompa e viene introdotta nel serbatoio di filtrazione. Con il passaggio dell'acqua attraverso il serbatoio, le particelle di sporco vanno a depositarsi sulle sfere consentendo la filtrazione dell'acqua della piscina. L'acqua depurata ritorna nella piscina attraverso il tubo di ritorno.

Il sistema di filtrazione, affinché funzioni, necessita di uno skimmer di superficie che può essere integrato (costruito nella parete della piscina) o sospeso (fissato alla parete).

Posizionamento

Posizionare lo *skimmer* e la bocchetta di entrata in modo da assicurare un margine di sicurezza sufficiente rispetto alla parete della piscina. Raccomandiamo di posizionare il sistema di filtrazione su un supporto (come lastre di calcestruzzo lavato). Tale supporto deve essere posizionato aiutandosi con una livella. Il sistema di filtrazione non deve mai essere posizionato su crepe del terreno o direttamente sull'erba, in quanto può verificarsi un allagamento o il surriscaldamento della pompa.

Se la piscina è totalmente o parzialmente interrata, è possibile posizionare la pompa in un apposito alloggio, connesso direttamente al serbatoio. In questo caso, assicurarsi che l'area del filtro non possa essere raggiunta dall'acqua. A tale scopo, è opportuno posizionare uno strato di ghiaia che consenta di drenare l'acqua fuoriuscita e la pioggia. L'ideale sarebbe connettere direttamente lo scarico del serbatoio del filtro (o la pompa di drenaggio con un commutatore automatico galleggiante). E' importante assicurarsi che l'alloggio del filtro non sia mai ermetico, dal momento che potrebbero verificarsi danni dovuti alla condensa. Occorre scegliere la dimensione dell'area del filtro in base al funzionamento del sistema di filtrazione.

Installazione

Montaggio del sistema di filtrazione (figura 1)

Montare il sistema di filtrazione nella sua posizione definitiva. Il filtro è composto dai seguenti pezzi:

1. Supporto di giunzione 90°
2. Copertura trasparente
3. Anello di fissaggio
4. Serbatoio filtro
5. Viti di giunzione Ø 32/38 mm
6. Supporto per la pompa del filtro
7. Pompa del filtro
8. Tubo di connessione Ø 32 mm

Montaggio del sistema di filtrazione (figure 2,3 e 4)

1. Aprire l'anello di fissaggio e rimuovere la copertura trasparente dal serbatoio.
2. Riempire il serbatoio con le sfere incluse nella confezione (320 g circa).
3. Posizionare l'elemento di giunzione nella parte inferiore della copertura.
4. Riposizionare la copertura nella parte superiore del serbatoio. Prima di eseguire questa operazione è importante accertarsi che i componenti siano puliti e privi di residui.
5. La copertura viene connessa al serbatoio mediante l'anello di fissaggio. Il tutto viene unito mediante l'utilizzo delle apposite viti e dei dadi forniti.
6. Installare il supporto di giunzione della parte superiore della copertura trasparente.
7. Infine connettere il supporto alla pompa. Avvitare tutte le giunzioni con morsetti di fissaggio assicurandosi che i pezzi connessi alla pompa siano ben sigillati con nastro in teflon.

Connessioni del tubo della pompa (figura 5)

- A. Linea di ritorno: unione tra il serbatoio e la connessione con la bocchetta di entrata (piscina). L'acqua filtrata ritorna alla piscina in questo punto.
- B. *Skimmers*: unione tra la connessione dello *skimmer* (piscina) e la pompa di filtrazione. L'acqua da filtrare viene estratta in questo punto della piscina.

Istruzioni per l'installazione del sistema di filtrazione.

- Dopo aver provveduto a installare correttamente il sistema di filtrazione, riempire la camera con sabbia e connettere i tubi come indicato in precedenza, la filtrazione può ora avere inizio.
- Non collegare il sistema alla presa finché non indicato.
- Assicurarsi che la pompa non sia collegata alla rete elettrica.
- Prima di avviare il sistema di filtrazione è importante assicurarsi che si trovi fuori dalla piscina e sia posizionato più in basso rispetto al livello dell'acqua. Inoltre è importante che i tubi siano connessi e regolati correttamente.
- Se non si è già provveduto, riempire la piscina con acqua. Assicurarsi che il livello dell'acqua sia di almeno 2,5 - 5 cm al di sopra dell'ingresso del tubo (skimmer) e dei punti di ritorno.
- Ora il sistema di filtrazione sta scaricando. Se possibile, aprire la vite di spurgo posta nella parte superiore della copertura trasparente finché l'acqua non circola.
- Svitare la valvola di chiusura posta sull'apertura (skimmer). Qualora fosse presente il tappo sul punto di ingresso provvedere a rimuoverlo per far entrare acqua all'interno del tubo.
- Con il sistema di filtrazione posizionato sotto al livello della piscina, l'acqua vi entrerà automaticamente.
- Lasciare che il serbatoio si riempia d'acqua.

- Verificare l'eventuale presenza di infiltrazioni nel sistema o nei tubi e, nel caso, provvedere alla riparazione. È possibile che si verifichi la presenza di punti di fuga dovuti a difetti di produzione che è possibile risolvere sigillando i tubi con nastro in teflon prima di effettuare la connessione.
- Il sistema di filtrazione è pronto per l'utilizzo.

Pulizia delle sfere filtranti

Le sfere filtranti del serbatoio assicurano una corretta e prolungata filtrazione delle particelle di sporco e i residui galleggianti vengono adeguatamente filtrati per un lungo periodo di tempo.

La resa del sistema di filtrazione diminuisce con l'aumento del livello di sporcizia nell'acqua. Occorre effettuare verifiche periodiche.

In caso di riduzione delle prestazioni vi sono due opzioni:

- E. Sostituire le sfere filtranti
- F. Lavare le sfere in lavatrice a una temperatura massima di 30°C.

Tempo di filtrazione

L'acqua della piscina deve essere fatta circolare e filtrata almeno dalle tre alle cinque volte ogni 24 ore, in base alla carica e alle dimensioni del sistema di filtrazione. Il tempo necessario varia in base alla resa del sistema e alla capacità della piscina. Consigliamo comunque un funzionamento minimo di 12 ore al giorno.

Istruzioni elettriche

Il sistema acquistato è dotato di un cavo di connessione che deve essere collegato esclusivamente a un differenziale con corrente di attivazione inferiore ai 30mA.

Dati tecnici:

- Portata: 4m³/h
- Redimento: 3,5 m³/h
- La pompa non dispone di meccanismo autoadescante
- Temperatura massima dell'acqua: 35 °C
- 220/230 V / 100 W
- Serbatoio: Ø 200 mm
- Connettore: Ø 32/38 mm
- Base
- Occorrono 320 g di sfere filtranti
- Per piscine con capacità fino a 19.000 l

Nota importante:

Istruzioni per la manutenzione

I residui visibili vengono eliminati dal sistema di filtrazione. Non avviene la stessa cosa per le alghe, i batteri e altri microrganismi che rappresentano una minaccia costante per la limpidezza e la salubrità dell'acqua della piscina. Per evitarne la formazione o provvedere all'eliminazione vi sono dei trattamenti speciali che offrono un dosaggio idoneo e permanente che garantisce la sicurezza dei bagnanti e l'igiene dell'acqua.

Pulizia

Utilizzare normali prodotti per la pulizia. Non utilizzare solventi o elementi abrasivi, come spugne, spazzolini ecc.

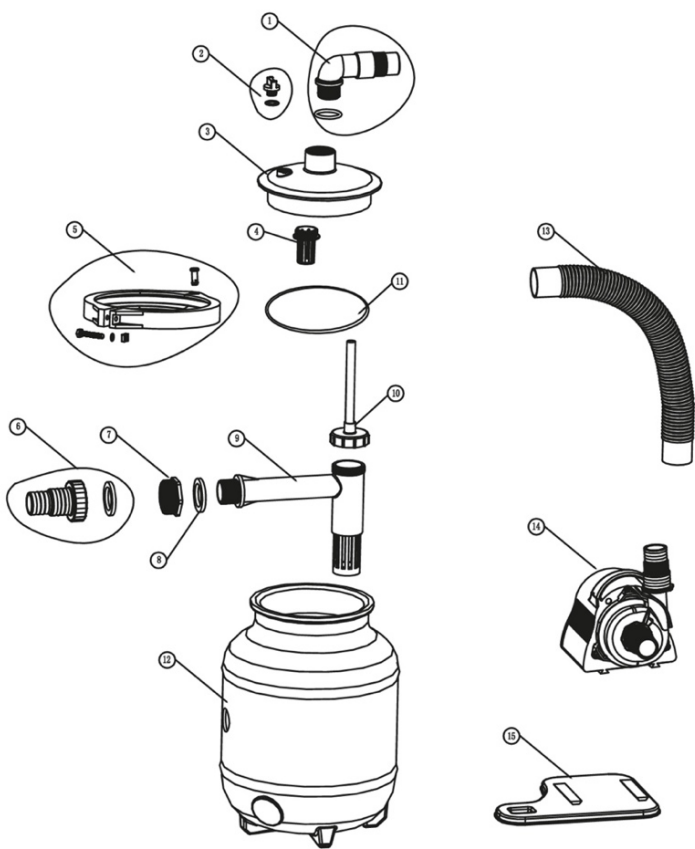
Conservazione

Dopo aver lavato il prodotto lasciarlo asciugare completamente. Una volta asciutto riporlo in un luogo privo di umidità e riparato dal gelo.

Smaltimento

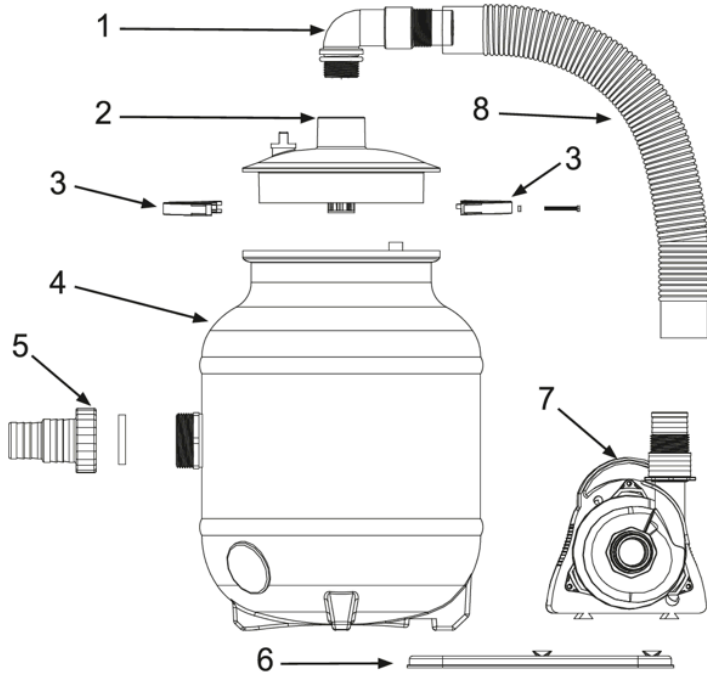
Smaltimento della confezione: il materiale di cui è composto l'imballo è stato selezionato nel rispetto delle normative in materia ambientale e di riciclo ed è pertanto riciclabile. È possibile riciclare la carta, il cartone e la copertura in plastica.

Smaltimento del prodotto: norme applicabili nell'Unione Europea e in altri stati d'Europa nei quali sono presenti sistemi di raccolta e differenziazione dei materiali riciclabili. Al momento di smaltire il prodotto è importante rispettare le normative previste dal proprio comune di residenza.

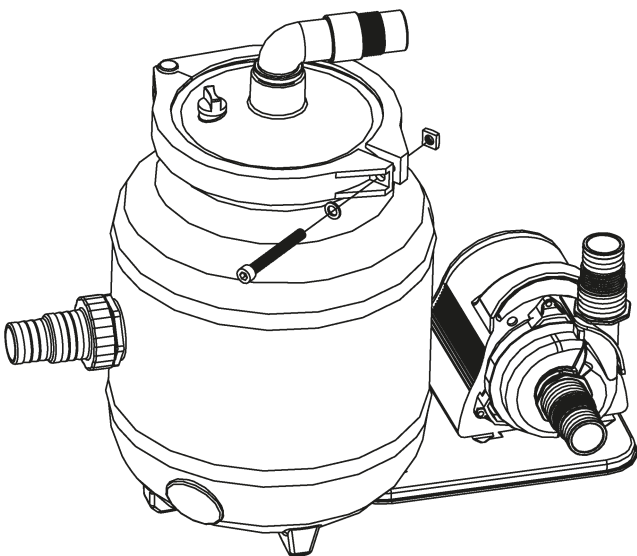


N°	Nome	Materiale	Quantità
1	CONNETTORE:	PP	1
	Guarnizione ad anello 1	Gomma	1
2	TAPPO	ABS	1
	Guarnizione ad anello 2	Gomma	1
3	COPERTURA SUPERIORE	PMMA	1
4	Eliminatore	ABS	1
5	VITE	SUS304	1
	BULLONE	Ottone	1
	GUARNIZIONE	SUS304	1
	ELEMENTO DI FISSAGGIO	PA6	1
	MORSETTO DESTRO	PA6	1
	MORSETTO SINISTRO	PA6	1
6	Connettore 32/38	PP	1
	GUARNIZIONE A TENUTA STAGNA	Gomma	1
7	CONNETTORE DI TRASMISSIONE	PP	1
8	GUARNIZIONE DEL CONNETTORE DI TRASMISSIONE	Gomma	2
9	TUBO DI FILTRAZIONE	PP	1
10	TUBO DI SVUOTAMENTO	-	1
11	GUARNIZIONE AD ANELLO GRANDE DELLA VALVOLA	Gomma	1
12	SERBATOIO MODELLATO AD ARIA, 200	PE	1
13	TUBO PE	PE	1
14	POMPA AD ACQUA 100 W	-	1
15	BASE	PP	1

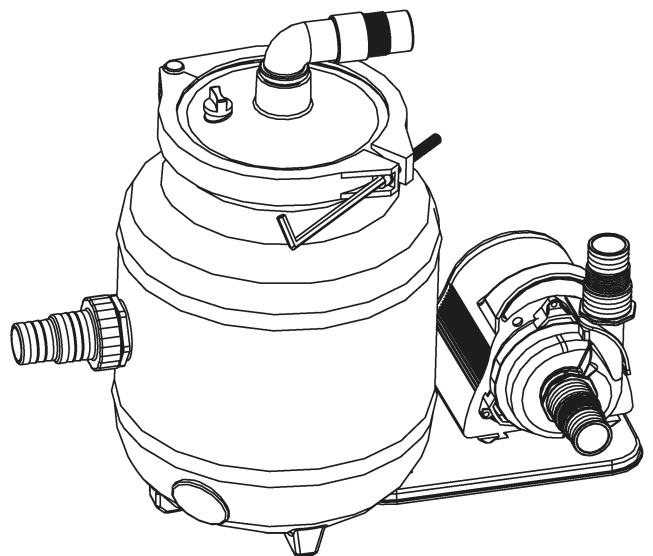
1



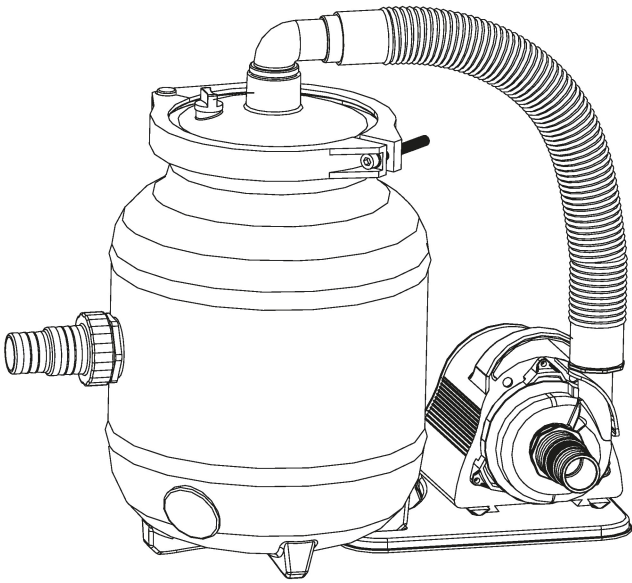
2



3



4



5

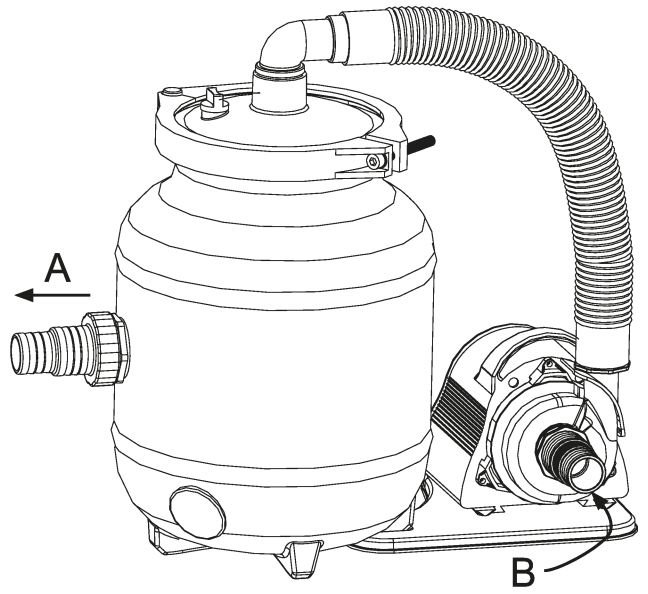
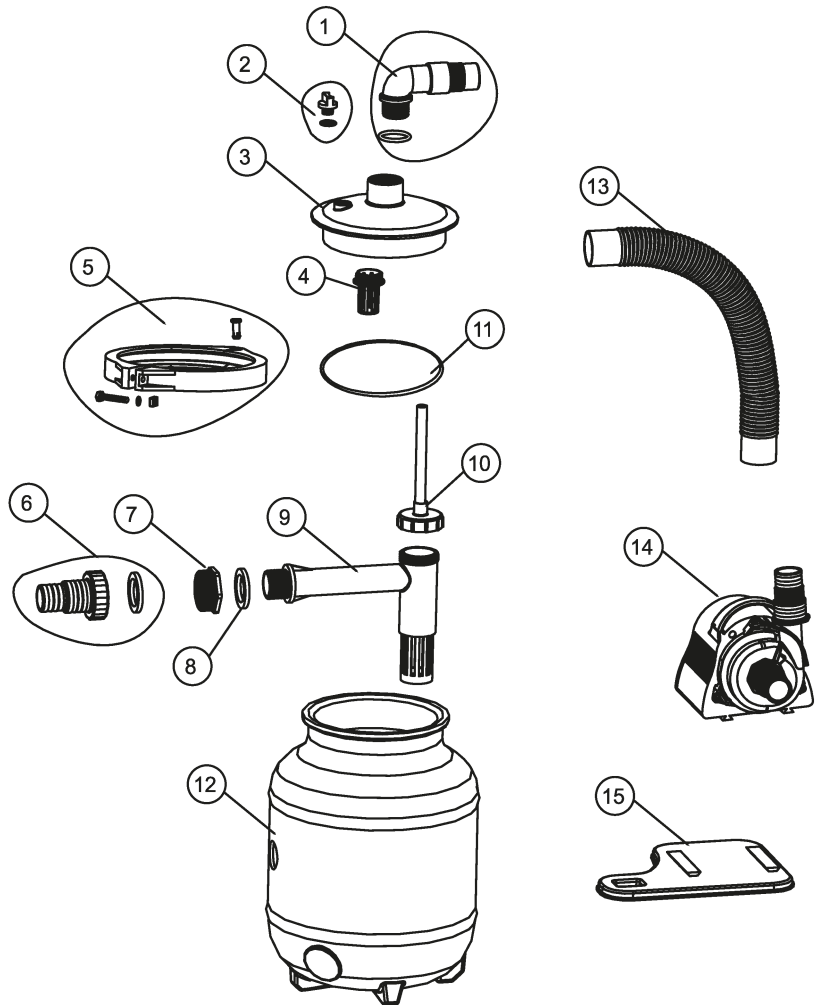


ILLUSTRATION E1/L1 (PARTS)



Voorwoord

Vriendelijk dank voor het aanschaffen van dit GRE-product. We verbeteren en ontwikkelen onze producten voortdurend; mocht dit product echter gebreken vertonen, verontschuldigen we ons voor het ongemak en vragen we u vriendelijk contact op te nemen met ons servicecentrum.

De handleiding lezen en veilig opbergen

Handleiding voorfilterballen Filterunit Speed Clean

Deze handleiding behoort bij het bovengenoemde product. Ze bevat belangrijke informatie over de eerste keer gebruiken van uw product en hoe het wordt bediend. Lees deze handleiding aandachtig door – in het bijzonder de veiligheidsinstructies – voordat u dit product gebruikt. Niet-naleving van deze handleiding kan leiden tot ernstig letsel of schade aan uw product. De handleiding is gebaseerd op de normen en voorschriften die van kracht zijn binnen de Europese Unie. Indien het product in het buitenland wordt gebruikt, dient u de aldaar geldende wettelijk regelgeving te volgen. De handleiding op een veilige plek opbergen voor latere consultatie en bij gebruik door of overdracht aan derden, indien van toepassing.

Beoogd gebruik

Dit product is uitsluitend bedoeld voor privégebruik en is niet geschikt voor commercieel gebruik. Gebruik dit product alleen zoals voorgeschreven in deze handleiding. Elk ander gebruik wordt als onjuist beschouwd en kan tot persoonlijk letsel of materiële schade leiden. Dit voorwerp is geen speelgoed. De fabrikant of verkoper is niet aansprakelijk voor schade als gevolg van oneigenlijk of onjuist gebruik.

Waarschuwingen en veiligheidsinstructies

Alle instructies lezen en opvolgen. Het niet opvolgen van deze waarschuwingen en instructies kunnen tot materiële schade, persoonlijk letsel en zelfs de dood leiden. Deze productwaarschuwingen, veiligheidsvoorschriften zijn uitgebreid, maar kunnen niet alle mogelijke risico's en gevaren bestrijken en mogen dus niet als uitputtend worden beschouwd. Wees voorzichtig en beoordeel potentiële gevaren op passende wijze. Incorrect gebruik / hantering van het product kan leiden tot levensbedreigende situaties. Let op! Laat reparaties over aan experts om gevaren te voorkomen. Vraag advies aan een gespecialiseerde reparateur. Aansprakelijkheid wordt afgewezen en garantieverzoeken vervallen als reparaties onafhankelijk worden uitgevoerd, of als het product onjuist is geïnstalleerd of gebruikt. Alleen originele onderdelen die overeenstemmen met de originele product-specificaties mogen bij reparaties worden gebruikt. **WAARSCHUWING!** Gevaarlijk voor kinderen en personen met lichamelijke, zintuiglijke, of geestelijke beperkingen (zoals gehandicapten, ouderen personen met verminderde lichamelijke of geestelijke vermogens), of personen met een gebrek aan ervaring en kennis. Laat kinderen niet met dit product spelen. Schoonmaken mag niet worden uitgevoerd door kinderen en personen met lichamelijke, zintuiglijke of geestelijke beperkingen. **LET OP!** Risico op schade! Dit product kan beschadigd raken door onjuist gebruik.

Gevaar voor elektrocutie! Foutieve elektrische installatie of een te hoge netspanning kan leiden tot elektrocutie. Sluit het product alleen aan als de netspanning op de aansluiting overeenstemt met de technische specificaties. Sluit dit product alleen aan op een eenvoudig te bereiken stopcontact zodat het in geval van een probleem snel van de stroom kan worden ontkoppeld. Gebruik dit product niet als het zichtbare schade vertoont of wanneer de aansluitkabel/stekker defect is. Als extra bescherming raden we aan om een reststroom-apparaat (FI/RCD te plaatsen) met een uitschakelstroom van niet meer dan 30 mA. Neem contact op met een elektricien voor advies. Open het product enkel zoals wordt aangegeven in deze handleiding. Laat reparaties over aan experts om risico's te vermijden. Neem contact op met een gespecialiseerde reparateur. Aansprakelijkheid wordt afgewezen en garantieverzoeken vervallen als er zelfstandig reparaties of wijzigingen aan het product worden uitgevoerd, of als het product onjuist is aangesloten of onjuist is bediend.

Dit product heeft elektrische en mechanische onderdelen die onmisbaar zijn ter bescherming tegen potentiële gevaren.

De stekker nooit met vochtige handen aanraken. Haal de stekker nooit uit het stopcontact door aan het snoer te trekken – trek altijd aan de stekker zelf. Houd het product, de stekker en alle elektrische kabels uit de buurt van open vuur en hete oppervlakken. Leg het snoer zodanig dat er geen struikelgevaar is maar plaats hem niet ondergronds. Snoeren zodanig aanleggen dat deze niet kan beschadigen door grasmaaiers en vergelijkbare apparaten. De kabel niet knikken of vouwen en niet over scherpe randen leggen. Gebruik geen verlengsnoer, stekkerdoos-adapters of andere adapters.

Filtersystemen mogen niet droog werken (zonder water). Het water zorgt voor koeling – en wanneer het systeem droog draait, worden er geen vervangingen uitgevoerd die onder de garantie vallen! Plaats de pomp of het filter In nooit in uw zwembad. Het filtersysteem mag niet in werking zijn als het zwembad wordt gebruikt. Installeer dit product op een voldoende veilige afstand van het bad om te voorkomen dat kinderen het systeem gebruiken om toegang tot het bad te krijgen. Het filtersysteem, stroomkabel en stekker niet onderdompelen in water. De filterpomp van het systeem is zo ontworpen dat het beschermd is tegen vreemde voorwerpen en spatwater. Desondanks moet het zodanig worden geïnstalleerd dat het beschermd is tegen weersinvloeden. **NOOIT** onderhoud uitvoeren aan het apparaat met de stekker in het stopcontact. **GEVAAR VOOR MEEGEZOGEN WORDEN EN BEKLEMMING, WAT INDIEN NIET WORDT VERMEDEN, TOT ERNSTIG LETSEL OF DE DOOD KAN LEIDEN.** De pompaanzuiging aan de pomp of in het zwembad niet blokkeren, want dit kan leiden tot ernstig of zelfs dodelijk letsel.

Controleer de levering

LET OP! Gevaar op beschadiging! Het product kan beschadigd raken als u de verpakking opent met een scherp mes of andere scherpe voorwerpen zonder de nodige zorg en aandacht. De verpakking zeer voorzichtig openen.

- Haal het product uit de verpakking.
- Controleer of alle bijbehorende onderdelen allemaal zijn geleverd. Schets/foto L1.
- Controleer of de unit, of bijbehorende onderdelen schade vertonen. Als er schade is, het product niet gebruiken. Neem contact op met het service-adres dat aan het einde van deze handleiding staat vermeld.

Werking

De filterballen in de filtertank zorgen ervoor dat vuildeeltjes en drijvend vuil gedurende lange tijd effectief uitgefilterd worden. Vuilwater wordt uit het zwembad gezogen via zuigpijp door de filterpomp en wordt dan van bovenaf in de filtertank gevoerd. Terwijl het water door de filterballen in de filtertank stroomt, blijven de vuildeeltjes achter tussen de filterballen en worden zo uit het zwembadwater gefilterd. Het gereinigde water stroomt vervolgens via de terugvoerleiding weer terug in het zwembad.

Voor de werking van het filtersysteem heeft u een skimmer nodig (oppervlakte-skimmer). Dit kan een geïntegreerde skimmer zijn (in het zwembad ingebouwd) of een opgehangen skimmer (bevestigd aan de zwembadwand).

Plaatsing

Kies het montagegebied dat u neemt tussen de skimmer en de inlaatmond zodanig dat er voldoende veiligheidsmarge is tot de zwembadwand. Daarnaast raden we aan om het filtersysteem op vloerplaten te plaatsen, bijv. gewassen betonplaten, etc.). Deze moeten waterpas zijn. U mag uw filtersysteem onder geen beding in een trog of rechtstreeks in het gras plaatsen (overstromingsgevaar of risico op oververhitting van de filterpomp).

Als uw bad deels of geheel verdiept is aangelegd, is het zinvol om de filterpomp in een filtersleuf te plaatsen, die is verbonden met de badwand. Als u uw filterpomp in een filtersleuf plaatst, moet u ervoor zorgen dat de filtersleuf niet vol water kan lopen. Daarom moet u een laag steengruis aanbrengen in het gebied om de filtersleuf zodat omgevings- en regenwater kan wegvloeien. Het zou ideaal zijn als er een directe verbinding is naar de afvoer in de bodem van de filterschacht (of slibpomp met automatische vlotterschakelaar). Het is belangrijk ervoor te zorgen dat de filtersleuf nooit luchtdicht is afgesloten, omdat dit tot schade kan leiden door condensatievocht op het filterpompeksel. maat van de filterschacht moet zodanig zijn dat zodat werkzaamheden aan het filtersysteem kan worden uitgevoerd.

Installatie

Montage van het filtersysteem (Illustratie 1)

Monteer het filtersysteem op de plaats waar de pomp uiteindelijk komt te staan. De filterpomp bestaat uit de volgende onderdelen:

1. Verbindingsbeugel 90"
2. Transparante deksel
3. Klemring
4. filtertank
5. Schroefverbinding \varnothing 32/38 mm
6. Beugel voor filterpomp
7. Filterpomp
8. Verbindings slang \varnothing 32 mm

Montage van het filtersysteem (Illustratie 2.3.4)

1. Open de klemring en neem het transparante deksel van de filtertank.
2. Vul de filtertank met de filterballen die in het pakket zitten (ong. 320g).
3. Plaats nu de afdichting aan de onderkant van de transparante deksel.
4. Plaats de transparante deksel weer terug op de bovenzijde van de filtertank. Voor dat u dit doet is het erg belangrijk om te zorgen dat u alle oppervlakken nogmaals schoonmaakt zodat ze vrij zijn van vuil.
5. De transparante deksel is wordt aan de filtertank verbonden door de klemring. De klemring wordt aaneen geschroefd met de klemringbout en klemringmoer.
6. Monteer de verbindingsbeugel aan de bovenkant van de transparante deksel.
7. Tdslot verbindt u de verbindingsbeugel aan de filterpomp. Zet alle verbindingen vast met slangenklemmen en zorg ervoor dat alle verbindende onderdelen van de pomp goed met teflontape zijn afgedicht.

Aansluitingen pompslangen (Illustratie 5)

A: Terugvoerleiding - aansluiting tussen de filtertank en de koppeling aan het inlaatmondstuk (zwembad). Het gefilterde water wordt op dit punt terug gevoerd in het zwembad.

B: Skimmers — verbinding tussen de skimmeraanluiting (zwembad) en de filterpomp. Het water dat zal worden gereinigd zal op dit punt uit het bad worden gezogen.

Filtersysteem installatie-instructies

- Nadat het filtersysteem correct is gemonteerd, wordt de zandkamer opgevuld met zand waarna de slang zoals hierboven is aangegeven wordt aangesloten, waarna u kunt beginnen met filteren.
- Het systeem niet eerder op de stroomvoorziening aansluiten dan op het moment dat hieronder wordt aangegeven.
- Verzeker u ervan dat de pomp *niet* is aangesloten op de stroom.
- Voordat u het filtersysteem in werking zet, is het belangrijk ervoor te zorgen dat het filtersysteem buiten het zwembad is geplaatst en lager staat dan het waterpeil in het zwembad. De aansluitingen van leidingen en slagen moeten ook correct zijn aangesloten en vastgezet.
- Als u dit nog niet heeft gedaan, moet u nu uw zwembad met water vullen. Zorg ervoor dat het waterpeil zich tenminste 2,5 tot 5 cm boven de bovenste rand van de inlaatslang (skimmer) en de terugvoerpoorten in het zwembad bevindt.
- Het filtersysteem is nu ontlucht. Indien nodig, opent u de ventilatieschroef aan de bovenzijde van de transparante filterdeksel totdat er water uit komt.
- Zet de afsluitklep open die voor de ingang van de (skimmer-) inlaat in het zwembad zit. Als de (skimmer-)inlaat heeft afgesloten met een plug, dient u deze te verwijderen zodat het water de inlaatslang kan binnenstromen.
- Als het filter-pompsysteem wordt geïnstalleerd op een plaats die lager ligt dan het waterpeil in uw zwembad, zal het oppervlaktewater vanuit uw zwembad automatisch het pomp-filtersysteem binnenstromen.
- Laat de filtertank vollopen met water.
- Controleer het filtersysteem en de verbindingslangen op lekkages en verhelp die, indien nodig. Lekkagepunten kunnen

ontstaan door fabricagetoleranties; deze kunnen worden opgelost door teflontape om de aansluitingen te wikkelen alvorens de verbindingslang te bevestigen .

- Uw filtersysteem is nu klaar voor gebruik.

Reinigen van de filterballen

De filterballen in de filtertank zorgen ervoor dat vuildeeltjes en drijvend vuil gedurende lange tijd effectief worden uitgefilterd.

Het prestatieniveau van het filtersysteem zal afnemen in overeenstemming met de hoeveelheid vervuiling in het water. Dit moet op regelmatige tijdstippen worden gecontroleerd.

Als u merkt dat prestatieniveaus dalen, volg dan één van deze twee mogelijkheden:

A: Vervang de filterballen.

B: Was de filterballen in de wasmachine op maximaal 30 °C.

Filtertijd

Het zwembadwater moet minstens 3 tot 5 keer in een periode van 24 uur worden rondgepompt en gefilterd, afhankelijk van de belasting en afmeting van het filtersysteem. De benodigde tijd is gebaseerd op de prestaties van het filtersysteem en de afmeting van het zwembad. We raden echter een minimale werkingstijd aan van 12 uur per dag.

Stroomaansluiting Instructies

Het filtersysteem dat u heeft aangeschaft is voorzien van een aansluitsnoer dat alleen mag worden aangesloten op een circuit met een residuele stroombreker (RCCB) met een nominale residuele stroom van niet meer dan 30mA.

Technische gegevens:

- Groepdebiet: 4 m³/h
- Systeemdebiet: 3,5 m³/h
- Pomp is niet zelfaanzuigend
- Maximum watertemperatuur 35 °C
- 220/230V/100W
- Tank \varnothing 200 mm
- Aansluiting \varnothing 32/38 mm
- Grondplaat
- 320g filterballen benodigd
- Voor zwembaden met capaciteit tot 19.000 liter

Belangrijke Opmerking

Onderhoudsinstructies

Zichtbare verontreinigingen worden door het filtreersysteem verwijderd. Dit geldt niet voor algen en bacteria en andere micro-organismen, die ook een constante bedreiging vormen voor schoon, helder en gezond zwembadwater. Ter preventie of voor de verwijdering daarvan, zijn er speciale waterbehandelingen met een correcte en continue dosering verkrijgbaar, die zwemmers voor alle ongemakken, behoeden en schoon, hygiënisch zwembadwater garanderen

Reinigen

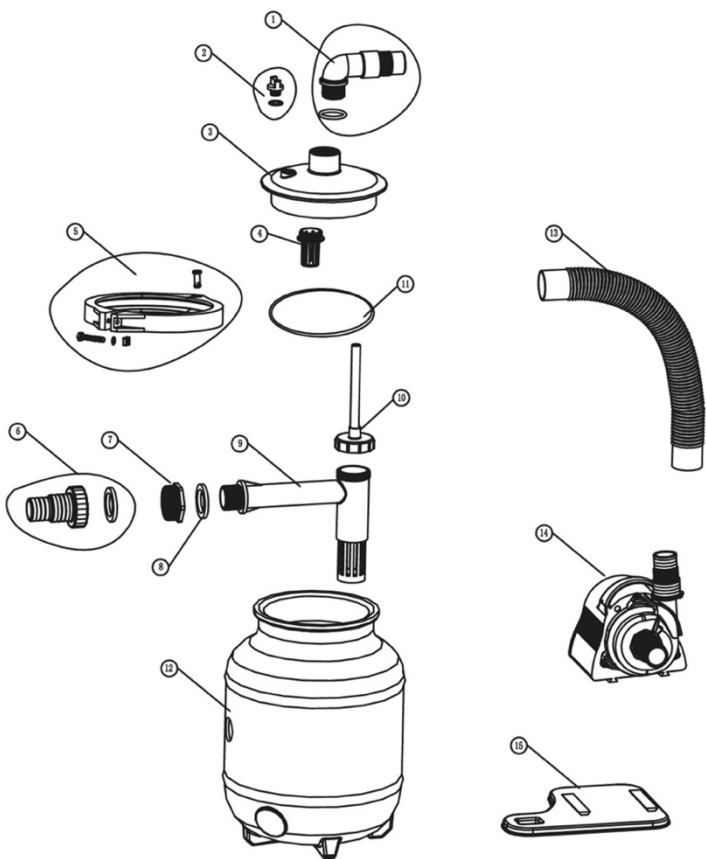
Gebruik conventionele reinigingsproducten. Gebruik geen, schuurmiddelen, producten die oplosmiddelen bevatten en geen schurende hulpmiddelen, d.w.z. geen harde sponzen, borstels etc..

Opslag

Het product moet na het schoonmaken grondig gedroogd worden. Daarna moet het worden opgeborgen op een tegen vorst beschermde plaats.

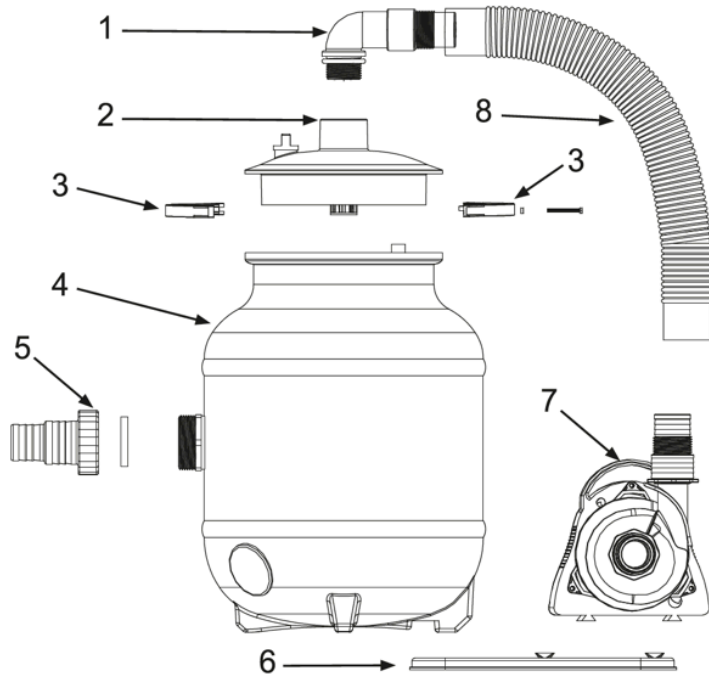
Verwijderen

Verwijderen van verpakking: Het verpakkingsmateriaal is gekozen uit milieuoogpunt en verwijderbaarheid en is daarom recyclebaar. Het papier en karton kunnen worden gerecycled, evenals de plastic verpakkingsmaterialen. Verwijderen van het product: Van toepassing binnen de Europese Unie en andere Europese landen die een systeem hebben voor het verzamelen en sorteren van recyclebaar materiaal. Verwijder dit product in overeenstemming met de wetten en voorschriften die van toepassing zijn in uw woonplaats .

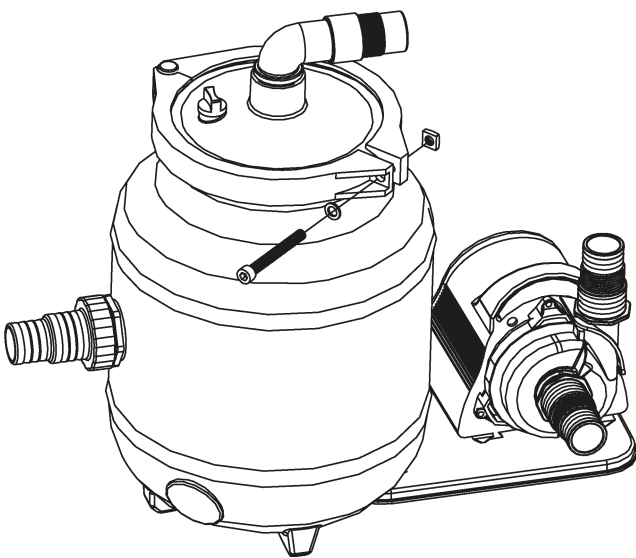


NUMMER	NAAM	MATERIAAL	AANTAL
1	Verbinding	PP	1
	O-RING 1	RUBBER	1
2	DOP	ABS	1
	O-RING 2	RUBBER	1
3	TOPDEKSEL	PMMA	1
4	druppelafscheider	ABS	1
5	MOER	SUS304	1
	BOUTEN	MESSING	1
	PAKING	SUS304	1
	KLEMPEN	PA6	1
	KLEM RECHTS	PA6	1
	KLEM LINKS	PA6	1
6	$\frac{32}{38}$ VERBINDING	PP	1
	AFDICHTENDE PAKING	RUBBER	1
7	OVERDRACHTVERBINDING	PP	1
8	PAKING OVERDRACHTVERBINDING	RUBBER	2
9	FILTERLEIDING	PP	1
10	AFVOERPIJP	-	1
11	VENTIEL GROTE O-RING	RUBBER	1
12	200- IN MAL GEGOTEN TANK	PE	1
13	PE SLANG	PE	1
14	100W WATERPOMP	-	1
15	GRONDPLAAT	PP	1

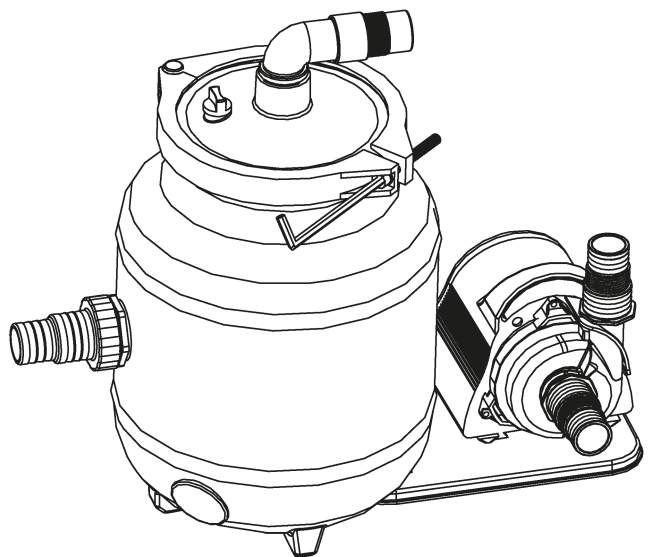
1



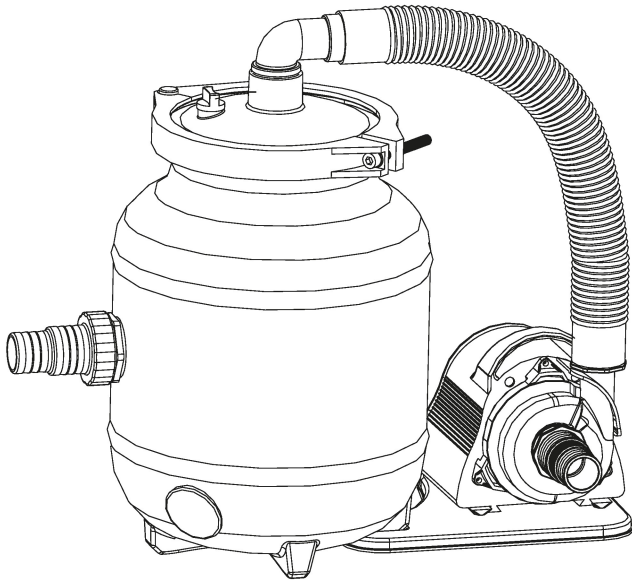
2



3



4



5

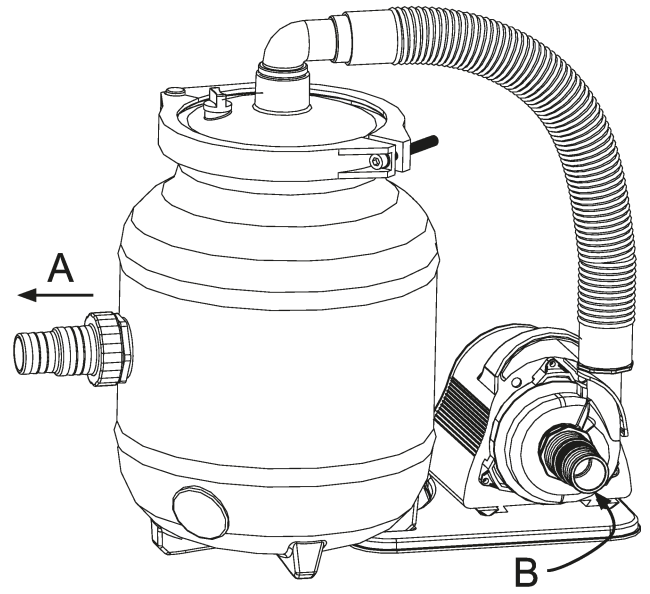
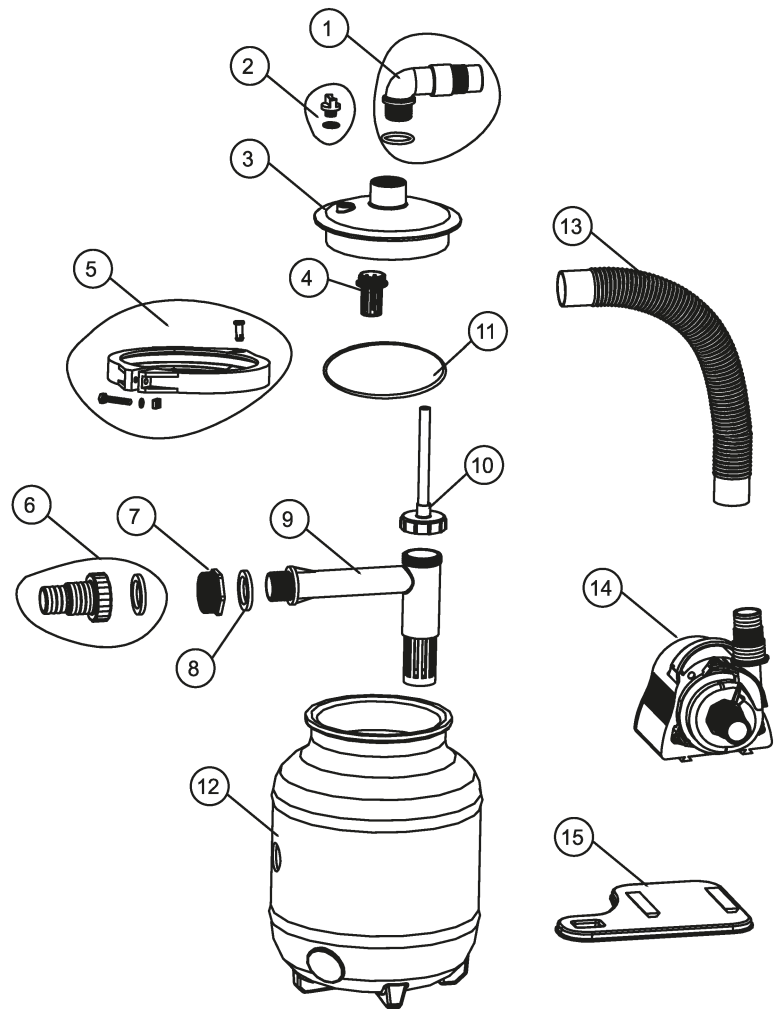


ILLUSTRATION E1/L1 (PARTS)



Introdução

Obrigado pela sua preferência ao adquirir este produto GRE. Procuramos constantemente desenvolver e melhorar os nossos produtos. Não obstante, e no caso de este produto apresentar qualquer anomalia, desde já lhe apresentamos as nossas desculpas por qualquer inconveniente causado, e recomendamos que contacte os nossos serviços de assistência técnica.

Por favor, leia atentamente este manual, e conserve-o num lugar seguro para futuras consultas

Manual de instruções para o Filtro de Bolas Speed Clean

O presente manual de instruções diz respeito ao produto acima indicado, e contém informação importante sobre como utilizar este produto pela primeira vez, e sobre a sua operação. Leia atentamente este manual de instruções – em particular as recomendações de segurança – antes de utilizar este produto. O não cumprimento das instruções contidas neste manual poderia causar lesões pessoais graves, ou danificar o produto. Este manual de instruções baseia-se em standards e regulamentos aplicáveis em toda a União Europeia. Se o produto se destinar a ser utilizado fora da UE, recomendamos que siga a legislação e os regulamentos específicos do país em que será utilizado. Guarde este manual de instruções num lugar seguro para futuras consultas, ou para a sua transmissão a terceiros, se for o caso.

Utilização

Este produto destina-se a uso privado, e não é apto para uso comercial. Utilize este produto apenas da maneira descrita no presente manual de instruções. Qualquer outro uso será considerado inapropriado, e poderia originar lesões pessoais ou danos materiais. Este artigo não é um brinquedo. O seu fabricante ou distribuidor declinam qualquer responsabilidade por quaisquer danos derivados da sua utilização inapropriada ou incorreta.

Advertências e instruções de segurança

Leia e siga escrupulosamente as advertências e instruções de segurança. O não cumprimento destas advertências e instruções de segurança poderia resultar em danos materiais, ou danos pessoais graves, incluindo a morte. As presentes advertências, instruções e normas de segurança, apesar de serem o mais completas possível, não cobrem todos os potenciais riscos e perigos, pelo que não se podem considerar exaustivas. Por favor, tome as devidas precauções, e tenham em conta todos os potenciais perigos envolvidos. A utilização ou manipulação incorreta deste produto poderia originar situações envolvendo risco de vida. Atenção! Para evitar riscos desnecessários, assegure-se de que quaisquer reparações sejam sempre levadas a cabo por técnicos especializados. Consulte um serviço de assistência especializado. Quaisquer reparações realizadas por serviços não autorizados ou se o produto for instalado ou utilizado incorretamente implicarão a anulação da garantia, bem como a ilibação de qualquer responsabilidade por parte do fabricante ou distribuidor do produto. A reparação deste produto deve fazer-se utilizando sempre peças originais e que se correspondam com as especificações originais do produto.

ADVERTÊNCIA! Este produto não deve ser utilizado ou manipulado por crianças ou pessoas com capacidades, físicas, psíquicas, sensoriais ou mentais diminuídas (pessoas com incapacidade, pessoas idosas com capacidades mentais e físicas diminuídas), nem por pessoas sem a devida experiência ou conhecimentos. Não permita que as crianças brinquem com este produto. A limpeza deste produto não deve ser levada a cabo por crianças, nem por pessoas com capacidades físicas, sensoriais ou mentais diminuídas. **NOTA!** Este produto poderia resultar danificado em caso de utilização inapropriada.

Perigo de eletrocussão! Uma instalação elétrica defeituosa, ou uma voltagem demasiado elevada poderiam implicar o risco de eletrocussão. Conecte este produto unicamente se a voltagem de alimentação da tomada de corrente

corresponde às especificações técnicas do produto. Conecte o produto a uma tomada de fácil acesso, para se assegurar de que o produto pode ser facilmente desconectado da alimentação de corrente em caso de qualquer anomalia. Não utilize este produto se o mesmo apresentar danos visíveis, ou se o cabo de alimentação ou a ficha de conexão do mesmo estiverem danificados. Como proteção adicional, é recomendável instalar um dispositivo de corrente residual (FI/RCD) com um disjuntor de segurança inferior a 30 mA. Consulte um electricista para mais informação sobre esta matéria.

Abra este produto seguindo as indicações deste manual. Deixe as reparações ao cuidado de especialistas, para evitar riscos desnecessários. Consulte um serviço de assistência autorizado.

Qualquer reparação ou modificação deste produto não autorizada, ou a sua utilização ou conexão incorreta darão origem à anulação automática da garantia. Este produto contém componentes mecânicos e elétricos indispensáveis para a sua proteção contra eventuais riscos. Nunca toque na ficha com as mãos húmidas. Nunca desconecte a ficha da tomada puxando-a pelo cabo – sujeite sempre a ficha para a desconectar da tomada. Mantenha este produto, a ficha de

Os sistemas de filtração não podem funcionar a seco (sem água)! A água assegura o arrefecimento – em caso de avaria por funcionamento a seco, não existe qualquer cobertura pela garantia!

Nunca coloque a bomba nem o filtro na piscina. O sistema de filtração não pode ser operado com a piscina em uso. Instale este produto com uma margem de segurança suficiente da piscina para evitar que as crianças utilizem o sistema para aceder à piscina. Não mergulhe o sistema de filtração, a ficha de conexão ou o cabo de alimentação em água ou em qualquer outro líquido. A bomba do sistema de filtração foi concebida de maneira a assegurar uma boa proteção contra corpos estranhos e salpicaduras de água. No entanto, deverá ser instalada de maneira a assegurar uma proteção adequada contra as más condições de clima. **NUNCA** realize qualquer reparação ou trabalhos de manutenção deste produto com o cabo de alimentação conectado. **RISCO DE SUCCIONAMENTO E APRISIONAMENTO, RESULTADNO EM LES4OES PESSOAIS GRAVES OU MESMO EM MORTE.** Nunca bloqueie a sucção na bomba ou na piscina, para evitar o risco de lesões pessoais graves ou mesmo de morte.

Comprovação inicial ao abrir a embalagem

ATENÇÃO! Risco de danos materiais! Este produto poderia resultar danificado ao abrir a embalagem utilizando uma faca ou qualquer outro utensílio afiado, sem a devida precaução. Por favor, abra a embalagem com o máximo cuidado.

- Retire o produto da sua embalagem.

- Comprove que a embalagem contém todos os componentes do produto. Figura/imagem L1.

- Examine o produto e os seus componentes, para detetar possíveis danos. Se detetar quaisquer danos no produto ou nos seus componentes, não utilize o produto, e contacte o serviço de assistência indicado no final deste manual.

Operação

As esferas do tanque de filtração asseguram a filtragem correta das partículas de sujidade e os resíduos flutuantes durante um período de tempo prolongado. A água suja é extraída da piscina através pelo tubo de sucção através da bomba de filtração, e introduzida por cima no tanque de filtração. À

medida que a água flui através das esferas de filtração para o tanque de filtração, as partículas de sujidade são depositadas nas esferas e filtradas para fora da piscina. A água purificada é devolvida à piscina pelo tubo de retorno.

Para operar o sistema de filtração, necessitará um skimmer (skimmer de superfície), do tipo integrado (incorporado à parede lateral da piscina) ou suspenso (ancorado à parede da piscina).

Posicionamento

A área de instalação deverá estar situada entre o skimmer e a boca de entrada, para que exista uma margem de segurança suficiente em relação à parede da piscina. É recomendável situar o sistema de filtração numa base sólida (por exemplo, sobre uma laje de betão, etc.). Comprove o nivelamento da instalação com um nível de bolha. Nunca instale o seu sistema de filtração diretamente sobre a relva (risco de inundação ou de sobreaquecimento da bomba de filtração).

Para as piscinas total ou parcialmente enterradas, é recomendável situar a bomba de filtragem num alojamento adequado, conectada diretamente ao tanque da piscina. Se a sua bomba de filtração estiver alojada numa ranhura para o filtro, assegure-se de que não existe o risco de inundação, aplicando um revestimento de pedra britada nas imediações do alojamento do filtro, para permitir a absorção da água da chuva e da água em volta do sistema de filtração. É recomendável uma conexão direta ao escoamento na caixa da conduta do filtro (ou bomba de lodos, com comutador automático flutuante). É importante assegurar que o alojamento do filtro não seja hermético, para evitar danos devido à condensação na bomba de filtração. O tamanho do alojamento do filtro deve permitir a realização de trabalhos de reparação e manutenção no sistema de filtração.

Instalação

Montagem do sistema de filtração (Figura 1)

Monte o sistema de filtração no local previsto para a instalação da bomba. A bomba de filtração inclui os seguintes componentes:

1. Abraçadeira de conexão de 90°
2. Tampa transparente
3. Anel de fixação
4. tanque do filtro
5. Conector de rosca Ø 32/38 mm
6. Abraçadeira para a bomba de filtração
7. Bomba de filtração
8. Mangueira de conexão Ø 32 mm

Montagem do sistema de filtração (Figuras 2, 3, 4)

1. Abra o anel de fixação e retire a tampa transparente do tanque de filtração.
2. Encha o tanque com as bolas de filtração incluídas (aprox. 320 g).
3. Coloque a junta de selagem na parte inferior da tampa transparente.
4. Coloque novamente a tampa transparente na parte superior do tanque de filtração. Verifique que todas as superfícies estejam limpas e livres de sujidade antes de colocar a tampa.
5. A tampa é unida ao tanque de filtração pelo anel de fixação. Este encontra-se unido por meio de um parafuso e da porca correspondente.
6. Coloque a abraçadeira de conexão no lado superior da tampa transparente.
7. Finalmente, una a abraçadeira à bomba de filtração. Aperte todas as uniões com os cliques para tubos e comprove que as conexões da bomba se encontram devidamente seladas com fita de teflon.

Conexão da mangueira da bomba (Figura 5)

- A: Linha de retorno – ligação entre o tanque de filtração e a união da boca de entrada (piscina), para devolução da água filtrada à piscina.
- B: Skimmers – união entre a conexão do skimmer (piscina) e a bomba de filtração, através da qual a água a limpar é extraída da piscina.

Instruções de instalação do sistema de filtração

- Uma vez terminada a montagem do sistema de filtração, e de encher a câmara de areia com areia e conectar as mangueiras tal como atrás se descreve, pode dar início à

filtração da água.

- Siga os passos abaixo antes de conectar o sistema.
- Assegure-se de que a bomba não está conectada a uma fonte de alimentação.
- Antes de operar o sistema de filtração, é importante comprovar que o sistema de filtração se encontra posicionado fora da piscina e a um nível inferior ao nível da água da piscina. As uniões das mangueiras devem estar bem conectadas e apertadas.
- Se ainda não o fez, encha a piscina com água. Assegure-se de que o nível da água se situa 2,5 - 5 cm acima do nível da mangueira de entrada (Skimmer) e das saídas de retorno à piscina.
- O sistema de filtração encontra-se ventilado. Se necessário, abra o parafuso de ventilação do lado superior da tampa transparente até que a água comece a sair.
- Abra a válvula de fecho na boca de entrada (Skimmer) na piscina. Se tiver colocado um tampão na boca de entrada (Skimmer), retire-o para permitir que a água penetre na mangueira de entrada.
- Com o conjunto bomba-sistema de filtração situado num nível inferior ao nível da água da piscina, esta fluirá automaticamente para o conjunto da bomba-sistema de filtração.
- Encha o tanque de filtração com água.
- Comprove o sistema de filtração e as mangueiras de conexão para detetar possíveis fugas, reparando-as caso existam. É possível que se detetem pontos de fuga devido às diferentes margens de tolerância dos fabricantes, que deverão ser eliminadas empregando cinta de teflon enrolada em volta das uniões antes de conectar as mangueiras.
- O sistema de filtração estará agora pronto para ser utilizado.

Limpeza das bolas do filtro

As bolas do tanque de filtração asseguram a filtração das partículas de sujidade e dos resíduos flutuantes durante um período de tempo longo.

O desempenho do sistema de filtração dependerá do nível de contaminação da água, que deverá ser verificado periodicamente.

Se detetar uma diminuição no desempenho do sistema de filtração, leve a cabo uma das seguintes medidas:

A: Substitua as bolas do filtro.

B: Lave as bolas na máquina de lavar a uma temperatura máxima de 30°C.

Periodicidade da filtração

A água da piscina deve ser circulada e filtrada pelo menos 3 a 5 vezes em cada período de 24 horas, dependendo da carga e das dimensões do sistema de filtração. O tempo requerido para esta operação dependerá do desempenho do sistema de filtração e das dimensões da piscina. No entanto, recomendamos um período mínimo de funcionamento de 12 horas diárias.

Instruções relativas à fonte de alimentação do sistema de filtragem

O sistema de filtração está equipado com um cabo de alimentação que deverá ser conectado a um circuito de alimentação equipado com um disjuntor (RCCB) com uma corrente máxima de 30 mA.

Características técnicas:

- Caudal: 4m³/h
- Caudal do sistema: 3,5 m³/h
- A bomba não é de auto-escorvamento
- Temperatura máxima da água: 35 °C
- 220/230 V / 100 W
- Tanque: 200 mm
- Conector: Ø 32/38 mm
- Placa base
- Requer 320 g de bolas de filtração
- Para piscinas com uma capacidade máxima de 19000 l

Nota importante

Cuidados de manutenção

O sistema de filtração elimina os agentes contaminantes visíveis, o que não inclui determinados tipos de algas, bem como bactérias e outros microrganismos, que são uma ameaça constante para uma água de piscina limpa e saudável. Para prevenir ou remover estes agentes poluentes, existem tratamentos de água especiais que, se devidamente doseados e utilizados, asseguram a higiene da água para os nadadores e utilizadores da piscina.

Limpeza

Utilize produtos de limpeza convencionais. Evite os produtos de limpeza baseados em solventes e os produtos abrasivos, como esponjas, escovas, etc.

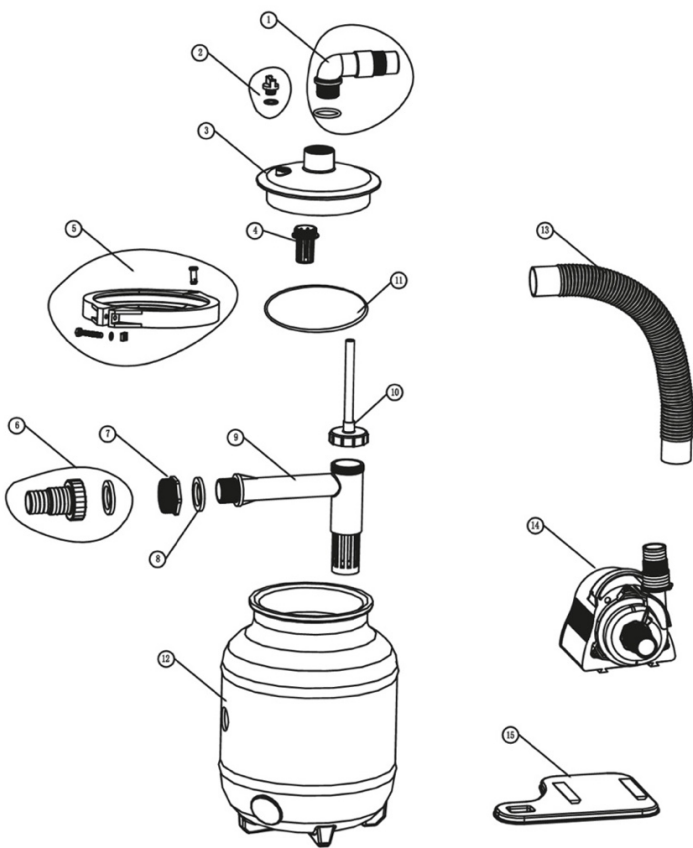
Armazenamento

Seque cuidadosamente o sistema depois de o utilizar, e guarde-o num lugar seco e protegido do frio e das geadas.

Eliminação

Eliminação da embalagem: Os materiais utilizados na embalagem deste produto foram selecionados de acordo com as considerações meio ambientais e a sua eliminação, sendo na sua maioria recicláveis. O papel e o cartão são recicláveis, bem como as coberturas de plástico.

Eliminação do produto: Aplicável na UE e noutros estados europeus dotados de sistemas de recolha e de triagem de materiais recicláveis. Elimine este produto em conformidade com a legislação e as normas locais aplicáveis.



Nº	NOME	MATERIAL	QUANT.
1	Conector	PP	1
	Anel O-1	Borracha	
2	Tampão	ABS	1
	Anel O-2	Borracha	
3	Tampa Superior	PMMA	1
4	Eliminador	ABS	1
5	Parafuso	SUS304	1
	Porcas	Cobre	1
	Casquilho	SUS304	1
	Grampos de fixação	PAS	1
	Grampo direito	PAS	1
6	Conector 32/38	PP	1
	Casquilho de selagem	Borracha	1
7	Conector de passagem	PP	1
8	Casquilho do conector de passagem	borracha	2
9	Mangueira do filtro	PP	1
10	Tubo de exaustão		1
11	Anel O grande de válvula	Borracha	1
12	Tangue moldado 200	PE	1
13	Mangueira PE	PE	1
14	Bomba de água de 100 W		1
15	Placa base	PP	1

EN - GUARANTEE CERTIFICATE

1 GENERAL TERMS

1.1 In accordance with these provisions, the seller guarantees that the product corresponding to this guarantee ("the Product") is in perfect condition at the time of delivery.

1.2 The Guarantee Term for the Product is two (2) years from the time it is delivered to the purchaser.

1.3 In the event of any defect in the Product that is notified by the purchaser to the seller during the Guarantee Term, the seller will be obliged to repair or replace the Product, at his own cost and wherever he deems suitable, unless this is impossible or unreasonable.

1.4 If it is not possible to repair or replace the Product, the purchaser may ask for a proportional reduction in the price or, if the defect is sufficiently significant, the termination of the sales contract.

1.5 The replaced or repaired parts under this guarantee, will not extend the guarantee period of the original Product, but will have a separate guarantee.

1.6 In order for this guarantee to come into effect, the purchaser must provide proof of the date of purchase and delivery of the Product.

1.7 If, after six months from the delivery of the Product to the purchaser, he notifies a defect in the Product, the purchaser must provide proof of the origin and existence of the alleged defect.

1.8 This Guarantee Certificate is issued without prejudice to the rights corresponding to consumers under national regulations.

2 INDIVIDUAL TERMS

2.1 This guarantee covers the products referred to in this manual.

2.2 This Guarantee Certificate will only be applicable in European Union countries.

2.3 For this guarantee to be effective, the purchaser must strictly follow the Manufacturer's instructions included in the documentation provided with the Product, in cases where it is applicable according to the range and model of the Product.

2.4 When a time schedule is specified for the replacement, maintenance or cleaning of certain parts or components of the Product, the guarantee will only be valid if this time schedule has been followed.

3 LIMITATIONS

3.1 This guarantee will only be applicable to sales made to consumers, understanding by "consumer", a person who purchases the Product for purposes not related to his professional activities.

3.2 The normal wear resulting from using the product is not guaranteed. With respect to expendable or consumable parts, components and/or materials, such as batteries, light bulbs, etc. the stipulations in the documentation provided with the Product, will apply.

3.3 The guarantee does not cover those cases when the Product; (I) has been handled incorrectly; (II) has been repaired, serviced or handled by non-authorized people or (III) has been repaired or serviced not using original parts. In cases where the defect of the Product is a result of incorrect installation or start-up, this guarantee will only apply when said installation or start-up is included in the sales contract of the Product and has been conducted by the seller or under his responsibility.

ES - CERTIFICADO DE GARANTÍA

1 ASPECTOS GENERALES

1.1 De acuerdo con estas disposiciones, el vendedor garantiza que el producto correspondiente a esta garantía ("el Producto") no presenta ninguna falta de conformidad en el momento de su entrega.

1.2 El Período de Garantía para el Producto es de dos (2) años y se calculará desde el momento de su entrega al comprador.

1.3 Si se produjera una falta de conformidad del Producto y el comprador lo notificase al vendedor durante el Periodo de Garantía, el vendedor deberá reparar o sustituir el Producto a su propio coste en el lugar donde considere oportuno, salvo que ello sea imposible o desproporcionado.

1.4 Cuando no se pueda reparar o sustituir el Producto, el comprador podrá solicitar una reducción proporcional del precio o, si la falta de conformidad es suficientemente importante, la resolución del contrato de venta.

1.5 Las partes sustituidas o reparadas en virtud de esta garantía no ampliarán el plazo de la garantía del Producto original, si bien dispondrán de su propia garantía.

1.6 Para la efectividad de la presente garantía, el comprador deberá acreditar la fecha de adquisición y entrega del Producto.

1.7 Cuando hayan transcurrido más de seis meses desde la entrega del Producto al comprador y éste alegue falta de conformidad de aquél, el comprador deberá acreditar el origen y la existencia del defecto alegado.

1.8 El presente Certificado de Garantía no limita o prejuzga los derechos que correspondan a los consumidores en virtud de normas nacionales de carácter imperativo.

2 CONDICIONES PARTICULARES

2.1 La presente garantía cubre los productos a que hace referencia este manual.

2.2 El presente Certificado de Garantía será de aplicación únicamente en los países de la Unión Europea.

2.3 Para la eficacia de esta garantía, el comprador deberá seguir estrictamente las indicaciones del Fabricante incluidas en la documentación que acompaña al Producto, cuando ésta resulte aplicable según la gama y modelo del Producto.

2.4 Cuando se especifique un calendario para la sustitución, mantenimiento o limpieza de ciertas piezas o componentes del Producto, la garantía sólo será válida cuando se haya seguido dicho calendario correctamente.

3 LIMITACIONES

3.1 La presente garantía únicamente será de aplicación en aquellas ventas realizadas a consumidores, entendiéndose por "consumidor", aquella persona que adquiere el Producto con fines que no entran en el ámbito de su actividad profesional.

3.2 No se otorga ninguna garantía respecto del normal desgaste por uso del producto. En relación con las piezas, componentes y/o materiales fungibles o consumibles como pilas, bombillas etc., se estará a lo dispuesto en la documentación que acompañe al Producto, en su caso.

3.3 La garantía no cubre aquellos casos en que el Producto: (I) haya sido objeto de un trato incorrecto; (II) haya sido reparado, mantenido o manipulado por persona no autorizada o (III) haya sido reparado o mantenido con piezas no originales.

Cuando la falta de conformidad del Producto sea consecuencia de una incorrecta instalación o puesta en marcha, la presente garantía sólo responderá cuando dicha instalación o puesta en marcha esté incluida en el contrato de compra-venta del Producto y haya sido realizada por el vendedor o bajo su responsabilidad.

FR - CERTIFICAT DE GARANTIE

1 ASPECTS GÉNÉRAUX

1.1 Conformément à ces dispositions, le vendeur garantit que le produit correspondant à cette garantie ("le Produit") ne présente aucun défaut de conformité à la date de sa livraison.

1.2 La Période de Garantie pour le Produit est de deux (2) ans et elle sera calculée à partir du moment de sa remise à l'acheteur.

1.3 S'il se produisait un défaut de conformité du Produit et si l'acheteur le notifiait au vendeur pendant la Période de Garantie, le vendeur devrait réparer ou remplacer le Produit à ses propres frais à l'endroit qu'il jugerait opportun, à moins que cela soit impossible ou disproportionné.

1.4 Lorsque le Produit ne pourra être ni réparé ni remplacé, l'acheteur pourra demander une réduction proportionnelle du prix ou, si le défaut de conformité est suffisamment important, la résolution du contrat de vente.

1.5 Les parties remplacées ou réparées en vertu de cette garantie n'élargiront pas le délai de la garantie du Produit original, celles-ci étant cependant couvertes par leur propre garantie.

1.6 Pour l'effectivité de la présente garantie, l'acheteur devra justifier la date d'acquisition et de remise du Produit.

1.7 Quand plus de six mois se seront écoulés depuis la remise du Produit à l'acheteur et que ce dernier alléguera un défaut de conformité de ce Produit, l'acheteur devra justifier l'origine et l'existence du défaut allégué.

1.8 Le présent Certificat de Garantie ne limite pas, ni préjuge les droits correspondant aux consommateurs en vertu des normes nationales de nature impérative.

2 CONDITIONS PARTICULIÈRES

2.1 La présente garantie couvre les produits auxquels ce manuel fait référence.

2.2 Le présent Certificat de Garantie ne sera applicable que dans les pays de l'Union européenne.

2.3 En vue de l'efficacité de cette garantie, l'acheteur devra suivre strictement les indications du Fabricant comprises dans la documentation qui est jointe au Produit, quand celle-ci sera applicable selon la gamme et le modèle du Produit.

2.4 Quand un calendrier sera spécifié pour le remplacement, la maintenance ou le nettoyage de certaines pièces ou de certains composants du Produit, la garantie sera valable uniquement lorsque ledit calendrier aura été suivi correctement.

3 LIMITATIONS

3.1 La présente garantie ne sera applicable que dans les ventes réalisées aux consommateurs, considérant comme "consommateur", toute personne qui achète le Produit à des fins qui n'entrent pas dans le cadre de son activité professionnelle.

3.2 Aucune garantie n'est concédée quant à l'usure normale due à l'utilisation du produit. En ce qui concerne les pièces, composants et/ou matériels fungibles ou consommables comme les piles, les ampoules, etc., il faudra respecter, le cas échéant, ce qui est stipulé dans la documentation qui est jointe au Produit.

3.3 La garantie ne couvre pas les cas où le Produit : (I) a fait l'objet d'un traitement incorrect ; (II) a été réparé, entretenu ou manipulé par une personne non autorisée ou (III) a été réparé ou entretenu avec des pièces n'étant pas d'origine. Quand le défaut de conformité du Produit sera la conséquence d'une installation ou d'une mise en marche incorrectes, la présente garantie répondra uniquement lorsque ladite installation ou ladite mise en marche sera incluse dans le contrat d'achat et de vente du Produit et aura été réalisée par le vendeur ou sous sa responsabilité.

DE - GARANTIEZERTIFIKAT

1 ALLGEMEINE GESICHTSPUNKTE

1.1 In Übereinstimmung mit diesen Verfügungen garantiert der Verkäufer, dass das Produkt dieser Garantie ("das Produkt") entspricht und dass es im Moment der Übergabe in allen Punkten mit den Anforderungen übereinstimmt.

1.2 Der Garantiezeitraum für das Produkt beträgt zwei (2) Jahre und wird ab dem Augenblick der Lieferung an den Käufer gerechnet.

1.3 Falls ein Mangel am Produkt auftritt und der Käufer den Verkäufer innerhalb des Garantiezeitraums darüber unterrichtet, muss der Verkäufer das Produkt auf eigene Kosten dort reparieren oder ersetzen, wo es für ihn am günstigsten ist, es sei denn, dies ist unmöglich oder unverhältnismäßig.

1.4 Wenn das Produkt weder repariert noch ersetzt werden kann, kann der Käufer einen angemessenen Preisnachlass beantragen, oder, falls es sich um einen größeren Mangel handelt, die Auflösung des Kaufvertrages.

1.5 Die Teile, die aufgrund dieser Garantie ersetzt oder repariert werden, verlängern den Garantiezeitraum für das Originalprodukt nicht. Jedoch existiert für diese Teile eine eigene Garantie.

1.6 Um die vorliegende Garantie wirksam werden zu lassen, muss der Käufer das Kaufdatum und das Lieferdatum des Produktes belegen.

1.7 Nach Ablauf von sechs Monaten ab Lieferung des Produktes an den Käufer muss, im Falle eines Mangels, der Käufer den Ursprung und das Vorhandensein des angegebenen Mangels belegen.

1.8 Das vorliegende Garantiezertifikat schränkt die Rechte, die der Verbraucher aufgrund der herrschenden, nationalen Gesetzgebung hat, nicht ein.

2 SONDERBEDINGUNGEN

2.1 Die vorliegende Garantie gilt für die Produkte, auf die sich dieses Handbuch bezieht.

2.2 Das vorliegende Garantiezertifikat ist nur in den Ländern der Europäischen Gemeinschaft anwendbar.

2.3 Diese Garantie gilt nur, wenn der Käufer alle Anweisungen des Herstellers, die in der produktbegleitenden Dokumentation enthalten und für die jeweilige Produktlinie und Modell anwendbar ist, streng einhält.

2.4 Wenn ein Zeitplan für den Austausch von Teilen, die Instandhaltung und Reinigung bestimmter Teile oder Produktkomponenten aufgestellt wurde, gilt die Garantie nur dann, wenn dieser Zeitplan korrekt eingehalten wurde.

3 EINSCHRÄNKUNGEN

3.1 Die vorliegende Garantie ist nur auf Verkäufe an Verbraucher anwendbar. "Verbraucher" sind alle Personen, die dieses Produkt zu privaten Zwecken erwerben.

3.2 Es wird keine Garantie für die normale Abnutzung durch den Gebrauch des Produktes gewährt. Informationen über Teile, Komponenten und/oder verschleißbare Materialien oder Verbrauchsgüter oder Batterien, Glühlampen etc. finden Sie in der Dokumentation, die das jeweilige Produkt begleitet.

3.3 In folgenden Fällen gilt die Garantie nicht: (I) Das Produkt wurde nicht korrekt benutzt; (II) das Produkt wurde von nicht autorisierten Personen repariert, instandgehalten oder bedient oder (III) das Produkt wurde mit nicht originalen Ersatzteilen repariert oder instandgehalten. Wenn der Mangel auf eine falsche Installation oder Inbetriebnahme zurückzuführen ist, gilt die vorliegende Garantie nur, wenn diese Installation oder Inbetriebnahme in den Kaufvertrag des Produktes eingeschlossen war, und von dem Verkäufer oder auf dessen Verantwortung durchgeführt wurde.

IT - CERTIFICATO DI GARANZIA

1 ASPETTI GENERALI

1.1 Ai sensi delle seguenti disposizioni, il venditore garantisce che il prodotto corrispondente a questa garanzia ("il Prodotto") non presenta alcun difetto di conformità al momento della sua consegna.

1.2 Il Periodo di Garanzia per il Prodotto è di due (2) anni a decorrere dal momento della consegna dello stesso all'acquirente.

1.3 Nel caso in cui si venisse a produrre un difetto di conformità del Prodotto e l'acquirente lo notificasse al venditore entro il Periodo di Garanzia, il venditore dovrà riparare o sostituire il Prodotto a sue spese nel luogo che consideri opportuno, salvo che ciò risulti impossibile o sproporzionato.

1.4 Qualora non fosse possibile riparare o sostituire il Prodotto, l'acquirente potrà richiedere una riduzione proporzionale del prezzo o, nel caso in cui il difetto di conformità fosse sufficientemente importante, lo scioglimento del contratto di vendita.

1.5 Le parti sostituite o riparate in virtù della presente garanzia non rappresenteranno un prolungamento della scadenza della garanzia del Prodotto originale, quantunque disporranno di una loro propria garanzia.

1.6 Affinché la presente possa essere valida, l'acquirente dovrà attestare la data di acquisto e consegna di del Prodotto.

1.7 Una volta trascorsi più di sei mesi dalla consegna del Prodotto all'acquirente, qualora quest'ultimo dichiari un difetto di conformità del medesimo, l'acquirente dovrà attestare l'origine e l'esistenza del difetto dichiarato.

1.8 Il presente Certificato di Garanzia non limita o preclude i diritti che corrispondano ai consumatori in virtù delle norme nazionali di carattere imperativo.

2 CONDIZIONI PARTICOLARI

2.1 La presente garanzia copre i prodotti ai quali si riferisce questo manuale.

2.2 Il presente Certificato di Garanzia avrà vigore unicamente nell'ambito dei paesi dell'Unione Europea.

2.3 Per la validità di questa garanzia, l'acquirente dovrà rispettare in maniera rigorosa le indicazioni del Fabbricante indicate nella documentazione che viene allegata al Prodotto, quando questa risulti applicabile secondo la gamma e il modello del Prodotto.

2.4 Nel caso in cui venga specificato un calendario per la sostituzione, la manutenzione o la pulizia di determinati pezzi o componenti del Prodotto, la garanzia sarà valida solo quando qualora detto calendario sia stato rispettato in maniera corretta.

3 LIMITAZIONI

3.1 La presente garanzia sarà valida unicamente per le vendite realizzate a consumatori, laddove per "consumatori" s'intende quella persona che acquista il Prodotto con scopi che non rientrano nell'ambito della sua attività professionale.

3.2 Non viene concessa alcuna garanzia nei riguardi del normale consumo per uso del prodotto. In merito ai pezzi, ai componenti e/o ai materiali fusibili o consumabili come pile, lampadine, ecc., ove sussista si applicherà quanto disposto nella documentazione che è allegata al Prodotto.

3.3 La garanzia non copre i casi in cui il Prodotto: (I) sia stato oggetto di un uso non corretto; (II) sia stato riparato, manipolato o la manutenzione sia stata effettuata da una persona non autorizzata o (III) sia stato riparato o la manutenzione sia stata effettuata con pezzi non originali. Qualora il difetto di conformità del Prodotto sia conseguenza di una installazione o messa in marcia non corretta, la presente garanzia risponderà solo nel caso in cui la suddetta installazione o messa in marcia sia compresa nel contratto di compravendita del Prodotto e sia stata realizzata dal venditore o sotto la sua responsabilità.

NL - GARANTIECERTIFIKAAT

1 ALGEMENE ASPEKTEN

1.1 In overeenkomst met de voorliggende bepalingen wordt door de verkoper gegarandeerd dat het produkt verkocht onder deze garantie ("het Produkt") geen enkel defect vertoont op het moment van levering.

1.2 De Garantieperiode voor het Produkt bedraagt twee (2) jaar en is geldig vanaf het moment dat het Produkt aan de koper geleverd wordt.

1.3 Indien er zich een defect aan het Produkt zou voordoen en de koper dit zou mededelen aan de verkoper gedurende de geldige Garantieperiode, dan zal de verkoper het Produkt repareren of laten repareren op zijn eigen kosten alwaar de verkoper dit geschikt zou achten, behalve in het geval dat dit onmogelijk of buitensporig zou zijn.

1.4 Indien het Produkt niet gerepareerd of vervangen kan worden, dan kan de koper na verhouding prijsreductie aanvragen, of, indien het defect belangrijk genoeg is, de ontbinding van het verkoopcontract aanvragen.

1.5 Die delen van het Produkt die onder deze Garantie vervangen of gerepareerd zijn, kunnen de duur van de Garantieperiode voor het oorspronkelijke Produkt niet verlengen, maar zullen beschikken over een eigen garantie.

1.6 Voor de toepassing van deze garantie moet de koper de aankoopdatum en de levering van het Produkt kunnen aantonen.

1.7 Indien er meer dan zes maanden verlopen zijn sinds de levering van het Produkt aan de koper, en deze plotseling aangeeft dat het Produkt niet aan de eisen voldoet, dan zal de koper de oorsprong en het bestaan van de volgens hem bestaande defekten moeten kunnen aantonen.

1.8 Dit Garantiecertificaat beperkt of veroordeelt niet bij voorbaat de rechten die de gebruikers hebben en die gebaseerd zijn op nationale normen.

2 BIJZONDERE VOORWAARDEN

2.1 Deze garantie dekt de produkten waarnaar deze handleiding verwijst.

2.2 Het huidige Garantiecertificaat is slechts van toepassing in landen van de Europese Unie.

2.3 Voor de toepassing van deze garantie en in geval deze garantie van toepassing is al naar gelang de serie en het model van het Produkt, moet de koper de aanwijzingen van de Fabrikant in de documenten die bij het Produkt bijgesloten zijn, strikt opvolgen.

2.4 Indien er een tijdsperiode vastgesteld wordt voor de vervanging, het onderhoud of het reinigen van verschillende delen of onderdelen van het Produkt, dan is de garantie alleen geldig in geval deze tijdsperiode strikt aangehouden is.

3 BEPERKINGEN

3.1 De huidige garantie is uitsluitend geldig bij verkoop aan gebruikers, waarbij onder "gebruiker" verstaan wordt een persoon die het Produkt aanschaf met een doel dat niet binnen het gebied van zijn professionele activiteiten valt.

3.2 Er bestaat geen garantie in verband met normale slijtage bij gebruik van het Produkt. Wat betreft de delen, componenten en/of vervangbare of verbruiksmaterialen zoals batterijen, gloeilampen, enz. zal men zich moeten richten naar hetgeen in de documenten staat die het Produkt vergezellen.

3.3 De garantie dekt niet de gevallen waarbij het Produkt (i) onderhevig is geweest aan ongepast gebruik, (ii) gerepareerd, onderhouden of gemanipuleerd is door een persoon die daarvoor geen toestemming heeft, of (iii) gerepareerd of onderhouden is met niet oorspronkelijke onderdelen. Indien het defekt van het Produkt het gevolg is van een incorrecte installering of ingebruikneming, dan is deze garantie slechts van toepassing indien de installering of ingebruikneming in kwestie in het contract van koop en verkoop van het produkt opgenomen is en door de verkoper of onder diens verantwoording uitgevoerd is.

PT - CERTIFICADO DE GARANTIA

1 CONDIÇÕES GERAIS

1.1 De acordo com estas disposições, o vendedor garante que, no momento da entrega, o produto correspondente a esta garantia ("o Produto") não apresenta nenhum tipo de falta de conformidade.

1.2 O Período de Garantia para o Produto é de dois (2) anos, contados a partir da data de entrega ao comprador.

1.3 Se, durante o período de garantia, o comprador notificar ao vendedor alguma falta de conformidade do Produto, o vendedor deverá reparar ou substituir o Produto por sua conta no lugar onde considerar conveniente, salvo que isso seja impossível ou desmesurado.

1.4 Quando não for possível reparar ou substituir o Produto, o comprador poderá solicitar uma redução proporcional do preço ou, se a falta de conformidade for o suficientemente grave, a rescisão do contrato de venda.

1.5 As partes substituídas ou reparadas em virtude desta garantia não ampliarão o período de garantia do Produto original, mas disporão da sua própria garantia.

1.6 Para que a presente garantia tenha efeito, o comprador deverá apresentar o comprovante da data de compra e de entrega do Produto.

1.7 Se o comprador alegar uma falta de conformidade do Produto, passados mais de seis meses da data de entrega do mesmo, deverá demonstrar a origem e a existência do defeito alegado.

1.8 O presente Certificado de Garantia não limita nem afecta os direitos dos consumidores derivados das normas nacionais de carácter imperativo.

2 CONDIÇÕES PARTICULARES

2.1 A presente garantia cobre os produtos descritos neste manual.

2.2 O presente Certificado de Garantia só será válido nos países da União Europeia.

2.3 Para a eficácia desta garantia, o comprador deverá seguir rigorosamente as indicações do Fabricante contidas na documentação fornecida com o Produto, quando a mesma for aplicável em função da gama e do modelo do Produto.

2.4 No caso de se estabelecer um calendário para a substituição, manutenção ou limpeza de determinadas peças ou componentes do Produto, a garantia só será válida se o citado calendário tiver sido cumprido rigorosamente.

3 LIMITAÇÕES

3.1 A presente garantia só será válida para as vendas realizadas a consumidores, entendendo-se por "consumidor" a pessoa que comprar o Produto com fins não abrangidos no âmbito da sua actividade profissional.

3.2 A garantia não cobre o desgaste normal derivado do uso do produto. Em relação às peças, componentes e/ou materiais fungíveis ou consumíveis como pilhas, lâmpadas, etc., terá efeito o disposto na documentação fornecida com o Produto, em cada caso.

3.3 Esta garantia não abrange as seguintes situações: (I) Se o Produto tiver sido objecto de um uso incorrecto; (II) tiver sido reparado, sofrido manutenção ou manipulado por pessoas não autorizadas ou (III) tiver sido reparado ou as suas peças substituídas por peças não originais. Quando a falta de conformidade do Produto for consequência de uma instalação ou colocação em funcionamento incorrecta, a presente garantia só será válida se a referida instalação ou colocação em funcionamento estiver incluída no contrato de compra-venda do Produto e tiver sido realizada pelo vendedor ou sob sua responsabilidade.



EN - CROSSED-OUT WASTE CONTAINER

1.1 In order to reduce the amount of waste of electric and electronic apparatus, to reduce the danger of components, to encourage the reuse of apparatus, to assess waste and to set up a suitable waste treatment system, with the aim of improving the efficiency of environmental protection, a set of rules has been established applicable to the manufacture of the product and other rules regarding the correct environmental treatment when these products become waste.

1.2 It is also intended to improve the environmental practices of all agents involved in electrical and electronic goods, including manufacturers, distributors, users and particularly those directly involved in the treatment of waste derived from these apparatus.

1.3 From 13th August 2005, there are two ways of disposing of this apparatus:

1.4 If you purchase a new equivalent apparatus or which has the same functions as the one you wish to dispose of, you can hand it over, free of charge, to the distributor when making your purchase, or

1.5 You can take it to local collection points.

1.6 We shall cover waste treatment costs.

1.7 The apparatus are labelled with a symbol of a "crossed-out waste container". This symbol means that the apparatus is subject to selected waste collection, different from general waste collection.

1.8 Our products are designed and manufactured with top-quality, environmental-friendly materials and components, which can be reused and recycled. In spite of this, several parts of this product are not biodegradable and therefore it should not be left in the environment. For the correct recycling of this product, please completely detach the electrical motor from the rest of the filtration equipment.

ES - CONTENEDOR DE BASURA CON RUEDAS TACHADO

1.1 Con objeto de reducir la cantidad de residuos de aparatos eléctricos y electrónicos, la peligrosidad de los componentes, fomentar la reutilización de los aparatos, la valorización de sus residuos y determinar una gestión adecuada tratando de mejorar la eficacia de la protección ambiental, se establecen una serie de normas aplicables a la fabricación del producto y otras relativas a la correcta gestión ambiental cuando se conviertan en residuo.

1.2 Así mismo, se pretende mejorar el comportamiento ambiental de todos los agentes que intervienen en el ciclo de vida de los aparatos eléctricos y electrónicos, como son los productores, los distribuidores, los usuarios y en particular, el de aquellos agentes directamente implicados en la gestión de los residuos derivados de estos aparatos.

1.3 A partir del 13 Agosto de 2005 cuando usted quiera desechar este aparato, tiene dos posibles sistemas de devolución:

1.4 Si adquiere uno nuevo que sea de tipo equivalente o realice las mismas funciones que el que desecha, podrá entregarlo, sin coste, en el acto de la compra al distribuidor.

1.5 Podrá llevarlo al sitio que destinen las diferentes entidades locales.

1.6 Nosotros nos haremos cargo de los costes de gestión.

1.7 Los aparatos van etiquetados con el símbolo de un "contenedor de basura con ruedas tachado", este símbolo es indicativo de la necesaria recogida selectiva y diferenciada del resto de las basuras urbanas.

1.8 Nuestros productos están diseñados y fabricados con materiales y componentes de alta calidad, respetuosos con el medio ambiente, que pueden ser reutilizables y reciclados. Aun así, las diferentes partes que componen este producto no son biodegradables, por lo que no se deben abandonar en el medio ambiente. Se debe de reciclar por separado, para ello separar el motor eléctrico del resto del equipo de filtración.

FR - POUCELLE À ORDURES SUR ROULETTES BARRÉE

1.1 Afin de réduire la quantité de déchets d'appareils électriques et électroniques, afin d'éviter le danger de leurs composants, d'encourager la réutilisation des appareils ainsi que la valorisation de leurs déchets, et de déterminer une gestion appropriée de ceux-ci, en essayant d'améliorer l'efficacité de la protection environnementale, ont été établies de nombreuses normes applicables à la fabrication du produit, et d'autres relatives à la gestion environnementale correcte lorsque ces appareils sont hors service.

1.2 De même, on prétend améliorer le comportement environnemental de toutes les personnes qui interviennent dans le cycle de vie des appareils électriques et électroniques, tels que les producteurs, les distributeurs, les utilisateurs et, en particulier, les intervenants directement impliqués dans la gestion des déchets dérivés de ces appareils.

1.3 À partir du 13 août 2005, quand vous souhaitez vous débarrasser de votre appareil usagé, vous avez deux façons de vous en défaire :

1.4 Si vous achetez un nouvel appareil qui est plus ou moins du même genre ou qui réalise les mêmes fonctions que votre appareil usagé, vous pourrez le remettre au distributeur, sans aucun frais à votre charge, au moment de l'achat.

1.5 Ou bien vous pourrez le déposer à l'endroit destiné à cette fin par les différents organismes locaux.

1.6 Les frais de gestion seront à notre charge.

1.7 Les appareils portent une étiquette sur laquelle figure le symbole d'une "poubelle à ordures sur roulettes barrée". Ce symbole indique la nécessité d'une collecte sélective et triée du reste des déchets urbains.

1.8 Nos produits sont conçus et fabriqués avec des matériaux et des composants de haute qualité, respectueux de l'environnement, qui sont réutilisables et recyclables. Malgré tout, les différentes parties qui composent cet article ne sont pas biodégradables ; c'est pourquoi, il ne faut pas les mettre au rebut en les jetant dans l'environnement.

DE - DURCHGESTRICHENEN ABFALLCONTAINERS MIT RÄDERN

1.1 Um die Menge an Abfällen, die aus elektrischen und elektronischen Geräten bestehen, zu reduzieren, die Gefahr einzudämmen, die Wiederverwertung der Apparate und die Bewertung dieser Rückstände zu fördern und ein geeignetes Management zu finden, um die Wirksamkeit des Umweltschutzes zu



erhöhen, werden eine Reihe von Normen festgelegt, die auf die Herstellung des Produktes angewandt werden, und Normen, die sich auf die korrekte und umweltbewusste Entsorgung beziehen, wenn diese Produkte zu Abfall werden.

1.2 Ebenso soll das Umweltbewusstsein aller Beteiligten verbessert werden, die mit den elektrischen und elektronischen Apparaten während deren gesamtem Nutzungszyklus in Kontakt kommen, das sind zum Beispiel die Hersteller, die Vertrieber, die Benutzer und insbesondere diejenigen, die direkt mit der Entsorgung der Rückstände zu tun haben, die durch diese Apparate entstehen.

1.3 Ab dem 13. August 2005 gibt es zwei Möglichkeiten für die Rückgabe, wenn Sie diesen Apparat entsorgen möchten:

1.4 Falls Sie einen neuen, ähnlichen Apparat oder einen, der den gleichen Funktionen dient, erwerben, können Sie das alte Gerät kostenlos beim Kauf des neuen Gerätes an Ihren Verkäufer zurückgeben.

1.5 Oder Sie können den Apparat zu einer der öffentlichen Annahmestellen für diese Art von Sondermüll bringen.

1.6 Wir übernehmen die Kosten der Entsorgung.

1.7 Die Apparate sind mit einem Etikett mit dem Symbol eines „durchgestrichenen Abfallcontainers mit Rädern“ versehen. Dieses Symbol gibt an, dass es sich um Sondermüll handelt, und nicht um gewöhnlichen städtischen Müll.

1.8 Unsere Produkte bestehen aus Materialien und Komponenten hoher Qualität, die umweltfreundlich sind und wieder benutzt oder recycelt werden können. Dennoch sind die verschiedenen Teile, aus denen dieses Produkt besteht, nicht biologisch abbaubar, deshalb können sie nicht einfach weggeworfen werden. Um dieses Produkt korrekt zu recycling, bitte den elektrischen Motor von der Filteranlage zerlegen.

IT - CONTENITORE DELLA SPAZZATURA, SBARRATO

1.1 Allo scopo di ridurre la quantità di residui di apparati elettrici ed elettronici, la pericolosità dei componenti, promuovere il riutilizzo degli apparecchi, la valutazione dei loro residui e determinare una gestione adeguata cercando di migliorare l'efficacia della protezione ambientale, si stabiliscono una serie di norme applicabili alla fabbricazione del prodotto ed altre relative alla corretta gestione ambientale quando si trasformino in residui.

1.2 Allo stesso modo, si cerca di migliorare il comportamento ambientale di tutti gli agenti che intervengono nel ciclo vitale degli apparecchi elettrici ed elettronici, come i produttori, i distributori, i consumatori e, in particolare, il comportamento di quegli agenti direttamente implicati nella gestione dei residui derivati da questi apparecchi.

1.3 A partire dal 13 agosto del 2005, quando vorrà disfarsi di questo apparecchio, avrà due possibili sistemi di rottamazione a sua disposizione:

1.4 Se acquista un apparecchio nuovo che sia di tipo equivalente o che svolga le stesse funzioni di quello da rottamare, potrà consegnarlo direttamente al distributore, senza alcun costo, al momento dell'acquisto;

1.5 Potrà portarlo nel luogo appositamente destinato dai vari enti locali.

1.6 Noi ci faremo carico dei costi di gestione.

1.7 Gli apparecchi sono etichettati con il simbolo di un "contenitore della spazzatura, sbarrato", questo simbolo indica la necessaria raccolta selettiva e differenziata dal resto della spazzatura urbana.

1.8 I nostri prodotti sono progettati e fabbricati con materiali e componenti di elevata qualità, che rispettano l'ambiente, che possono essere riutilizzati e riciclati. Pur in questo caso, le varie parti che compongono questo prodotto non sono biodegradabili, per cui non devono essere abbandonate nell'ambiente. Per il riciclaggio corretto di questo prodotto, stacchi il motore dal resto dell'apparecchio di filtrazione.

NL - EEN DOORGESTREEPTE AFVALCONTAINER MET WIELEN

1.1 Teneinde het afval afkomstig van elektrische en elektronische apparaten en de schadelijke effecten van de diverse onderdelen te verminderen, het hergebruik van apparaten en de evaluatie van de effecten van het afval te bevorderen, en een gepast beheer en de bescherming van het milieu te bevorderen, zijn een aantal regels vastgesteld aangaande de fabricage van dit product alsmede de correcte milieubewuste verwerking van het apparaat wanneer het eenmaal wordt afgevoerd.

1.2 Bovendien is het de bedoeling de milieubewuste verwerking door alle agenten die bij de gebruikscyclus van de elektrische en elektronische apparaten betrokken zijn te verbeteren, zoals bijvoorbeeld leveranciers, distributeurs, gebruikers, en in het bijzonder de agenten die direct betrokken zijn bij de verwerking van het afval afkomstig van deze apparaten.

1.3 Met ingang van 13 augustus 2005 kunt u uit twee mogelijkheden kiezen wanneer u dit apparaat wilt weggoien:

1.4 Wanneer u een nieuw exemplaar aanschaft van een vergelijkbaar type of dat dezelfde functies verricht als het weg te gooien exemplaar, kunt u het oude exemplaar zonder kosten bij de distributeur inleveren bij de aankoop van het nieuwe

1.5 Of u kunt het naar de afvalverwerking brengen volgens de voorschriften van de lokale overheid.

1.6 Wij zullen de kosten van deze handelingen op ons nemen.

1.7 De apparaten zijn voorzien van een etiket met het symbool van "een doorgestreepte afvalcontainer met wielen"; dit symbool geeft aan dat het apparaat niet met het gewone afval gemengd en apart verwerkt moet worden.

1.8 Onze producten zijn ontworpen en gefabriceerd op basis van materialen en onderdelen van hoge kwaliteit die het milieu ontzien en die hergebruikt en gerecycled kunnen worden. Desondanks zijn de diverse onderdelen van dit product niet biologisch afbreekbaar, zodat deze niet in het milieu achtergelaten mogen worden. Om dit product korrekt te recyclen, relieve de elektrische motor van de Filterset los maken

PT - CONTENTOR DE LIXO COM RODAS BARRADO COM UMA CRUZ

1.1 Com o objectivo de reduzir a quantidade de resíduos dos equipamentos eléctricos e electrónicos, a perigosidade dos componentes, fomentar a reutilização dos equipamentos, a valorização dos seus resíduos e determinar uma gestão adequada tratando de melhorar a eficácia da protecção ambiental, estabelece-se uma série de normas aplicáveis ao fabrico do produto e outras relativas à correcta gestão ambiental quando se transformam em resíduos.



1.2 Do mesmo modo, pretende-se melhorar o comportamento ambiental de todos os agentes que intervêm no ciclo de vida dos equipamentos eléctricos e electrónicos, como são os produtores, os distribuidores, os utilizadores e, em particular, o dos agentes directamente implicados na gestão dos resíduos derivados destes equipamentos.

1.3 A partir do dia 13 Agosto de 2005, quando quiser desfazer-se deste aparelho, tem duas possibilidades de devolução:

1.4 Se adquirir um novo aparelho que seja de tipo equivalente ou que realize as mesmas funções que o que está a deitar fora, poderá entregá-lo ao distribuidor, sem custo, no acto da compra;

1.5 Poderá levá-lo ao local destinado pelas diferentes entidades locais.

1.6 Nós assumiremos os custos de gestão.

1.7 Os equipamentos são rotulados com o símbolo de um “contentor de lixo com rodas barrado com uma cruz”, que indica a necessidade de recolha selectiva e diferenciada do resto dos lixos urbanos.

1.8 Os nossos produtos são concebidos e fabricados com materiais e componentes de alta qualidade, respeitadores do ambiente, que podem ser reutilizados e reciclados. No entanto, as diferentes partes que compõem este produto não são biodegradáveis e, portanto, não devem ser abandonadas no meio ambiente. Para a reciclagem correta deste equipamento, por favor separe o motor eléctrico do resto do aparelho de filtração.

FAQ200

EVIDENCE OF CONFORMITY / DECLARACIÓN DE CONFORMIDAD / DÉCLARATION DE CONFORMITÉ / KONFORMITÄTSEKTLÄRUNG / DICHIARAZIONE DI CONFOMITA / OVEREENSTEMMIGGSVERK LARING / DECLARAÇAU DE CONFORMIDADE.

-The products listed above are in compliance with the safety prescriptions:

- 2014/30/UE Electromagnetic compatibility Directive.
- 2014/35/UE Low voltage Directive.
- 2011/65/EU European Directive (RoHS)
- EU REACH regulation 1907/2006.

-Los productos arriba numerados se hallan conformes con:

- Directiva de compatibilidad electromagnética 2014/30/UE
- Directiva de equipos de baja tensión 2014/35/UE
- Directiva Europea 2011/65/UE (RoHS)
- Reglamento REACH 1907/2006.

-Les produits énumérés ci-dessus sont conformes aux prescriptions de sécurité:

- Directive de compatibilité électromagnétique 2014/30/UE.
- Directive d'équipements de basse tension 2014/35/UE
- Directive Européenne 2011/65/UE (RoHS)
- Le règlement REACH 1907/2006.

-Die obenangeführten Produkte entsprechen den Sicherheitsbestimmungen:

- Richtlinie 2014/30/UE über elektromagnetische Verträglichkeit.
- Richtlinie 2014/35/UE über die Sicherheit von elektrischen Betriebsmitteln (Niederspannungsrichtlinie).
- Europäischen Richtlinie 2011/65/EU (RoHS)
- REACH Verordnung 1907/2006.

-I prodotti su elencati sono conformi al quanto segue:

- Direttiva sulla compatibilità elettromagnetica 2014/30/UE
- Direttiva apparecchiatura in bassa tensione 2014/35/UE
- Direttiva Europea 2011/65/UE (RoHS)
- Regolamento REACH 1907/2006.

-De bovengenoemde producten zijn conform de zekerheidsrichtlijnen:

- De richtlijn betreffende elektromagnetische compatibiliteit 2014/30/UE.
- De laagspanningsrichtlijn 2014/35/EU.
- Europese Richtlijn 2011/65/EU.
- Europese REACH Verordening 1907/2006/EG.

-Os produtos da lista acima estão conformes as:

- Directiva de compatibilidade electromagnética 2014/30/UE.
- Directiva de equipamentos de baixa tensão 2014/35/UE
- Directiva Europeia 2011/65/UE (RoHS)
- Regulamento REACH 1907/2006

Sign the present conformity evidence/Firma la presente declaración/ Signe la presente déclaration/Unterzeichnet diese Erklärung/Firma la seguedichiarazione/Ondertekent onderhavige verklaring/ Assina a presente declaração:

Zhenjiang, 12/07/2017

Kevin Chen Sales Manager

STAR MATRIX GROUP INC.
星矩阵国际贸易有限责任公司



IF YOU HAVE ANY PROBLEM, CONTACT US!		www.service-gre.com
SI TIENES ALGUN PROBLEMA, ¡CONSULTENOS!	España	www.service-gre.com
EN CAS DE PROBLEME, NOUS CONSULTER!		www.service-gre.com
BEI PROBLEMEN KÖNNEN SIE SICH MIT UNS UNTER DER FOLGENDEN DEUTSCHEN	Deutschland	0800 952 49 72 info-germany@gre.es
PER OGNI VOSTRA EVENTUALE OCCORRENZA, INTERPELLATECI!	Italia	800 781 592 www.service-gre.com
MOCHT U EEN PROBLEEM HEBBEN, ... ¡RAADPLEEG ONS!	Nederlands Belgie	+31 513 62 66 66 service@aqua-fun.info
EM CASO DE PROBLEMA, ¡CONSULTAR-NOS!	Portugal	www.service-gre.com

DISTRIBUIDO POR:
MANUFACTURAS GRE. S.A.
ARITZ BIDEA Nº57, BELAKO INDUSTRIALDEA
48100 MUNGIA (BIZKAIA)· ESPAÑA
<http://www.gre.es>
Nº REG. IND.: 48-06762

- We reserve the right to change all or part of the articles or contents of this document, without prior notice
- Nos reservamos el derecho de cambiar total o parcialmente las características de nuestros artículos o el contenido de este documento sin previo aviso
- Nous nous réservons le droit de modier totalement ou en partie les caractéristiques de nos articles ou le contenu de ce document sans préavis
- Wir behalten uns das Recht vor, die technischen Daten unserer Artikel oder den Inhalt dieses Dokumentes ohne vorherigen Hinweis ganz oder teilweise zu ändern
- Ci riserviamo il diritto di cambiare totalmente o parzialmente le caratteristiche tecniche dei nostri prodotti ed il contenuto di questo documento senza nessun preavviso
- Wij behouden ons het recht voor geheel of gedeeltelijk de kenmerken van onze artikelen of de inhoud van deze handleiding zonder voorafgaand bericht te wijzigen
- Reservamo-nos o direito de alterar, total ou parcialmente, as características dos nossos artigos ou o conteúdo deste documento sem aviso prévio